**DESIGN:**

- High tensile steel body with 4 teeth
- Supplied with T1 steel knives 30x3mm
- Positioning of knives requires use of appropriate gauge
- Can also be supplied with TCT knives, priced separately

**APPLICATION:**

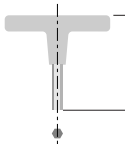
- With HSS knives for planing solid woods without glue lines
- With tungsten carbide tipped knives for planing hardwoods, exotic woods and solid woods with glue lines
- On moulders and four sided planers

**SPECIAL PRODUCTION**

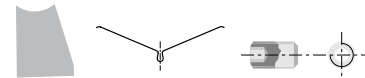
DIAM. ØD	KERF	MAX. BORE ød	NO. TEETH	MAX. RPM
125mm 5"	100mm 4"	50mm 2"	4	9000
125mm 5"	120mm 4-3/4"	50mm 2"	4	9000
125mm 5"	130mm 5-1/8"	50mm 2"	4	9000
125mm 5"	150mm 6"	50mm 2"	4	9000
125mm 5"	180mm 7"	50mm 2"	4	9000
125mm 5"	210mm 8-1/4"	50mm 2"	4	9000
125mm 5"	230mm 9"	50mm 2"	4	9000

Other sizes available upon request.

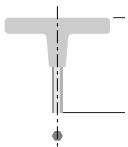
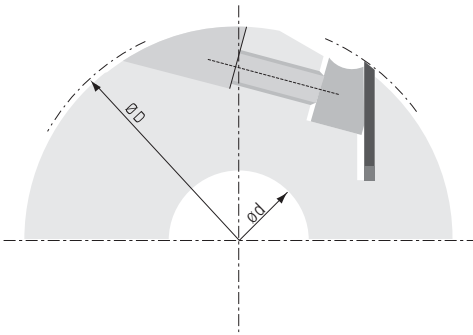
For REPLACEMENT KNIVES see HSS or TCT Planing Knives Catalogue Pages C22 - C27.



T-HANDLE ALLEN WRENCH  
PART NO. W400004 5mm

**Replacement Parts**

TOOLHEAD KERF	WEDGE PART NO.	SPRING PART NO.	Wedge screw PART NO.
100mm 4"	W301109	W501602	W501309
120mm 4-3/4"	W301111	W501602	W501309
130mm 5-1/8"	W301112	W501602	W501309
150mm 6"	W301114	W501602	W501309
180mm 7"	W301117	W501602	W501309
210mm 8-1/4"	W301120	W501602	W501309
230mm 9"	W301122	W501602	W501309



T-HANDLE ALLEN WRENCH  
PART NO. W400004 5mm

**DESIGN:**

- Aluminum body with 4 teeth
- Supplied with T1 steel knives 30x3mm
- Positioning of knives requires use of appropriate gauge
- Can also be supplied with TCT knives, priced separately

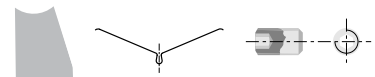
**APPLICATION:**

- With HSS knives for planing solid woods without glue lines
- With tungsten carbide tipped knives for planing hardwoods, exotic woods and solid woods with glue lines
- On moulders and four sided planers

**SPECIAL PRODUCTION**

DIAM. ØD	KERF	MAX. BORE ød	NO. TEETH	MAX. RPM
125mm 5"	100mm 4"	50mm 2"	4	9000
125mm 5"	120mm 4-3/4"	50mm 2"	4	9000
125mm 5"	130mm 5-1/8"	50mm 2"	4	9000
125mm 5"	150mm 6"	50mm 2"	4	9000
125mm 5"	180mm 7"	50mm 2"	4	9000
125mm 5"	210mm 8-1/4"	50mm 2"	4	9000
125mm 5"	230mm 9"	50mm 2"	4	9000

For REPLACEMENT KNIVES see HSS or TCT Planing Knives Catalogue Pages C22-C27.

**Replacement Parts**

TOOLHEAD KERF	WEDGE PART NO.	SPRING PART NO.	Wedge screw PART NO.
100mm 4"	W301109	W501602	W501309
120mm 4-3/4"	W301111	W501602	W501309
130mm 5-1/8"	W301112	W501602	W501309
150mm 6"	W301114	W501602	W501309
180mm 7"	W301117	W501602	W501309
210mm 8-1/4"	W301120	W501602	W501309
230mm 9"	W301122	W501602	W501309