

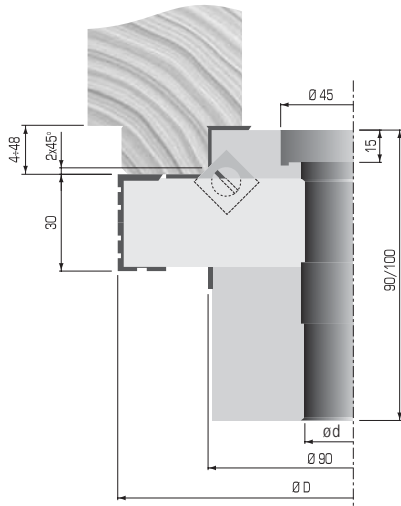


DESIGN:

- High tensile steel body with 6+4 teeth and 2+4 spurs
- Adjustable for producing bevelled tenons from 4 to 48mm long
- Reversible tungsten carbide inserts with 2 and 4 cutting edges

APPLICATION:

- For producing tenons in solid wood
- On tenoning machines
- For BALESTRINI machines Part No. 1T5201M
- For BACCI and PADE machines Part No. 1T5202M



PART NO.	DIAM. ØD mm	KERF B mm	BORE ød	MAX. BORE ød mm	NO. TEETH	NO. SPURS	RPM MIN.-MAX.
1T5201M	145	90	30	35	6+4	2+4	5000-9000
1T5202M	145	100	30	35	6+4	2+4	5000-9000

Other sizes available upon request.

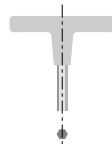
Repl. Parts

DESCRIPTION	KNIFE	WEDGE	WEDGE SCREW	SPUR	SPUR SCREW
PART NO.	305000	W300206	W501301	301404	W500002
DIMENSIONS	50x12x1.5	48	M6x12	14x14x2	M5x7

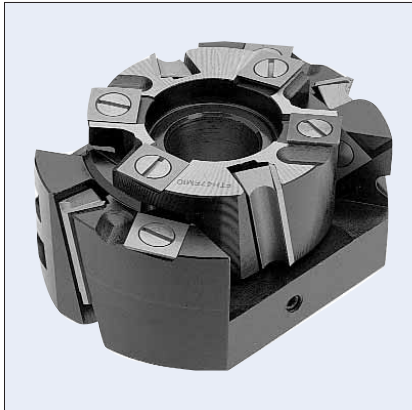
Repl. Parts

DESCRIPTION	KNIFE	WEDGE	WEDGE SCREW	WEDGE	SPUR SCREW
PART NO.	301505	W300702	W501302	W300406	W501702
DIMENSIONS	15x15x2	27.4	M6x16	24x15x15	M5x16

NOTE: Two knives per wing required
PART NO. 301505



T-HANDLE ALLEN WRENCH
PART NO. W400113 3mm
PART NO. W400114 4mm



DESIGN:

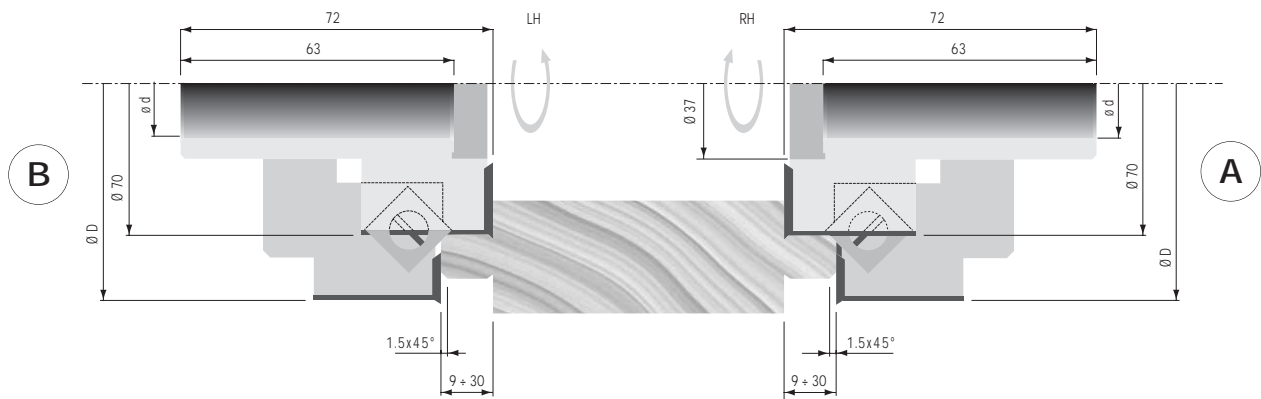
- High tensile steel body with 4+2 teeth and 2+4 spurs
- Adjustable for producing bevelled tenons from 9 to 30mm long
- Reversible tungsten carbide inserts with 2 and 4 cutting edges

APPLICATION:

- For producing tenons in solid wood
- On tenoning machines such as BALESTRINI, PADE, and BACCI

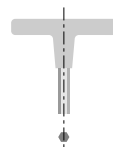
PART NO.	DIAM. ØD mm	KERF B mm	BORE ød mm	MAX. BORE ød mm	NO. TEETH	NO. SPURS	CUTTER TYPE	RPM MIN.-MAX.
1T5221M	100	72	25	25	4+2	2+4	B	7500-12000
1T5222M	100	72	25	25	4+2	2+4	A	7500-12000

Other sizes available upon request.



Replacement Parts

TOOL NO.	DESCRIPTION	KNIFE	WEDGE	WEDGE SCREW	SPUR	SPUR SCREW
1T5221M	PART NO.	1T522A	W300205	W501301	301404	W500002
	DIMENSIONS	30x12x1.5	28	M6x12	14x14x2	M5x7
1T5222M	PART NO.	1T522B	W300205	W501301	301404	W500002
	DIMENSIONS	30x12x1.5	28	M6x12	14x14x2	M5x7



T-HANDLE ALLEN WRENCH
PART NO. W400113 3mm