



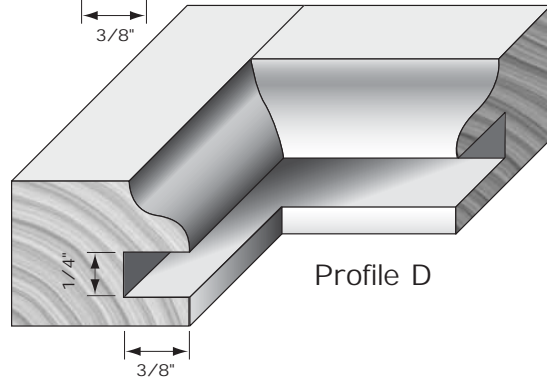
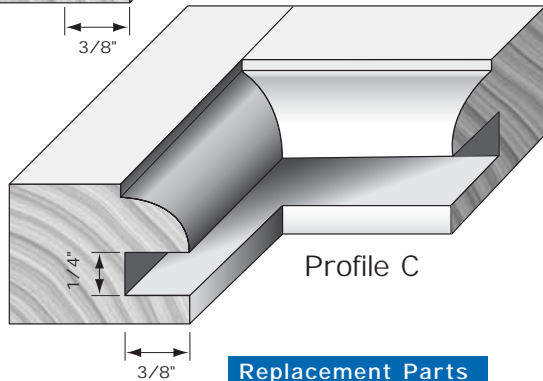
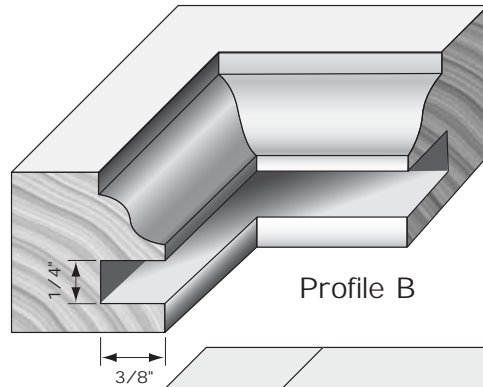
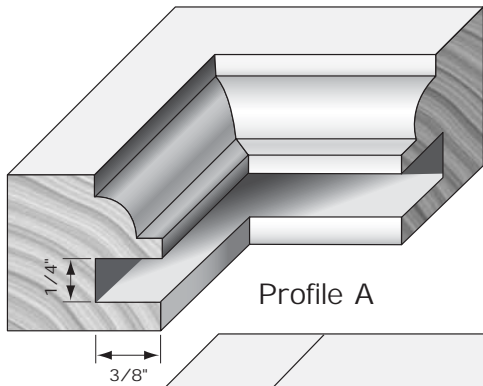
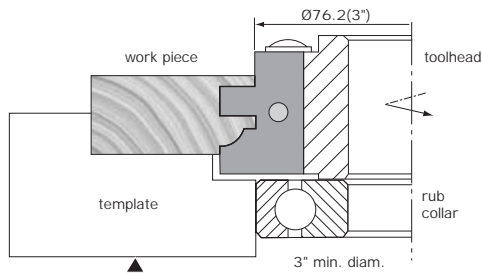
DESIGN:

- High tensile steel body with 3 straight teeth
- Set of 2 toolheads and 24 tungsten carbide insert knives to produce 4 different profiles "A - D"
- Packed in wooden box complete with wrenches
- Ball bearing guide is optional and sold separately

APPLICATION:

- To produce stile and rails in solid wood
- On shapers

PART NO.	DIAM. ØD mm	KERF B mm	BORE ød	MAX. BORE ød mm	NO. TEETH	RPM MAX.
1TS06	95	30	1-1/4"	1-1/4"	3	7500-12000



Replacement Parts

PART NO.	DESCRIPTION
W057114-3	Rub collar - 3" diameter
W042581	Gib 28mm
W501301	Set screw for Gib M6x12
W400102	Allen Wrench 3mm

Replacement Knives

PART NO.	DESCRIPTION
1TS06A1	Rail end profile A
1TS06A2	Stile profile A
1TS06B1	Rail end profile B
1TS06B2	Style profile B
1TS06C1	Rail end profile C
1TS06C2	Style profile C
1TS06D1	Rail end profile D
1TS06D2	Style profile D