

# 1TS08 PANEL RAISING TOOLHEAD SET



### DESIGN:

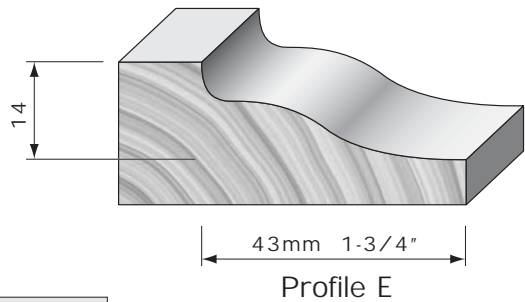
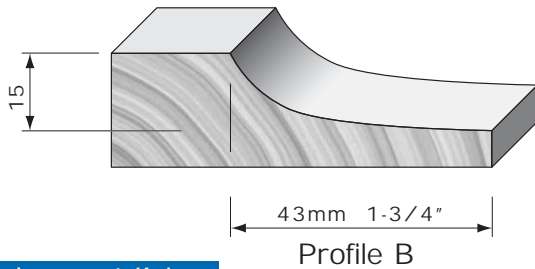
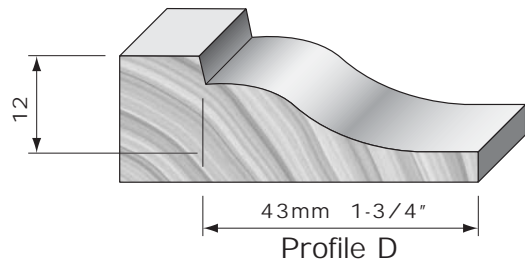
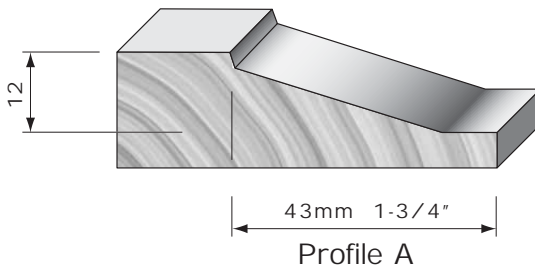
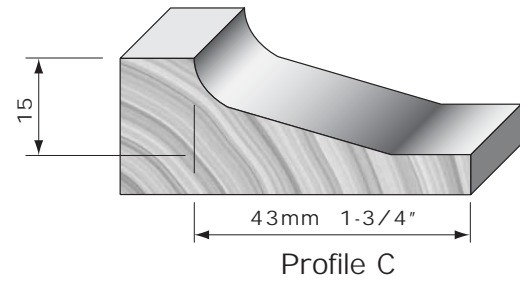
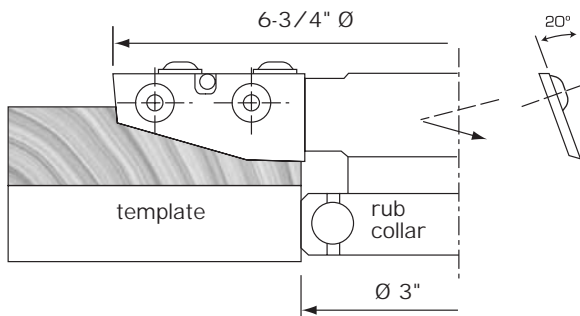
- High tensile steel body with 3 teeth on a shear angle
- Single toolhead complete with 15 tungsten carbide insert knives to produce 5 different raised panel profiles "A - E"
- Packed in wooden box complete with wrenches
- Ball bearing guide is optional and sold separately

### APPLICATION:

- To produce raised panels in solid wood, and panel materials
- On shapers

| PART NO. | DIAM. ØD mm | KERF B mm | BORE ød | MAX. BORE ød mm | NO. TEETH | RPM MAX.  |
|----------|-------------|-----------|---------|-----------------|-----------|-----------|
| 1TS08    | 172         | 22        | 1-1/4"  | 35              | 3         | 4500-7500 |

Other sizes available upon request.



| Replacement Knives |      |
|--------------------|------|
| PART NO.           | TYPE |
| 1TS08A             | A    |
| 1TS08B             | B    |
| 1TS08C             | C    |
| 1TS08D             | D    |
| 1TS08E             | E    |

| Replacement Parts |                     |
|-------------------|---------------------|
| PART NO.          | DESCRIPTION         |
| W501206           | Knife locking screw |
| W400102           | Allen Wrench 3mm    |
| W057114-3         | 3" Diam. rub collar |