

1T466 PLANING TOOLHEADS - "CENTRA SYSTEM"

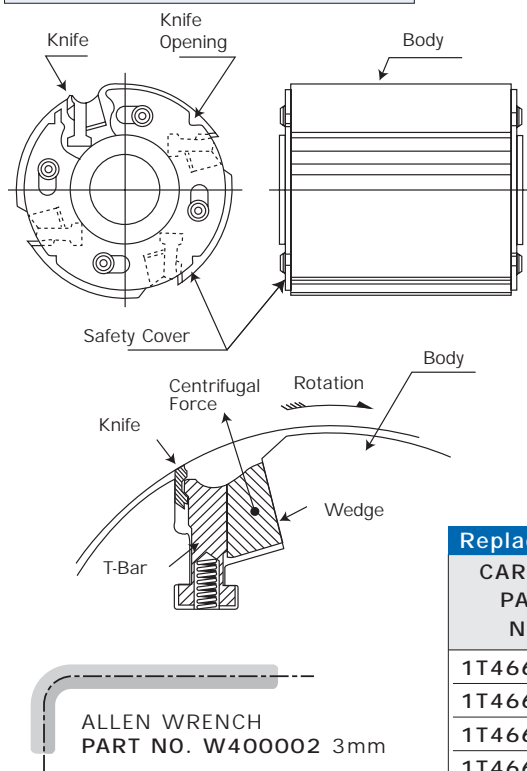


DESIGN:

- High tensile steel body with 4 straight teeth
- Unique centrifugal self locking system accurately locks knives in place
- The reversible double edged knives with unique chipbreaker design and polished edges provide an ultra smooth surface finish
- Toolhead supplied without knives
- Knives available in surface treated HSS and in micro-grain mirror-finish solid carbide

APPLICATION:

- For surface planing and jointing in solid wood, panel materials, plastics and cellulose



PART NO.	DIAM. ØD mm	KERF B mm	BORE ød	NO. TEETH	RPM MIN.-MAX.
1T46622	125	80	40mm	4	6000-8000
1T46624	125	100	40mm	4	6000-8000
1T46626	125	130	40mm	4	6000-8000
1T46628	125	150	40mm	4	6000-8000
1T46630	125	180	40mm	4	6000-8000
1T46632	125	230	40mm	4	6000-8000
1T46642	140	80	1-13/16"	4	5500-7000
1T46644	140	100	1-13/16"	4	5500-7000
1T46646	140	130	1-13/16"	4	5500-7000
1T46648	140	150	1-13/16"	4	5500-7000
1T46650	140	180	1-13/16"	4	5500-7000
1T46652	140	230	1-13/16"	4	5500-7000

Other sizes available upon request.

Replacement Knives

CARBIDE PART NO.	HSS PART NO.	CUTTING LENGTH mm	WIDTH mm	THICKNESS mm	NO. OF KNIVES PER PACKAGE
1T466C080	1T466H080	80	8	2	12
1T466C100	1T466H100	100	8	2	12
1T466C130	1T466H130	130	8	2	12
1T466C150	1T466H150	150	8	2	12
1T466C180	1T466H180	180	8	2	12
1T466C230	1T466H230	230	8	2	12

Replacement Parts

TOOL NO.	DESCRIPTION	WEDGE	T-BAR	END PLATE SCREW	GIB RELEASE PUNCH
1T46622/42	PART NO.	W800100	W800120	W800140	W800142
1T46624/44	PART NO.	W800102	W800122	W800140	W800142
1T46626/46	PART NO.	W800104	W800124	W800140	W800142
1T46628/48	PART NO.	W800106	W800126	W800140	W800142
1T46630/50	PART NO.	W800108	W800128	W800140	W800142
1T46632/52	PART NO.	W800110	W800130	W800140	W800142