

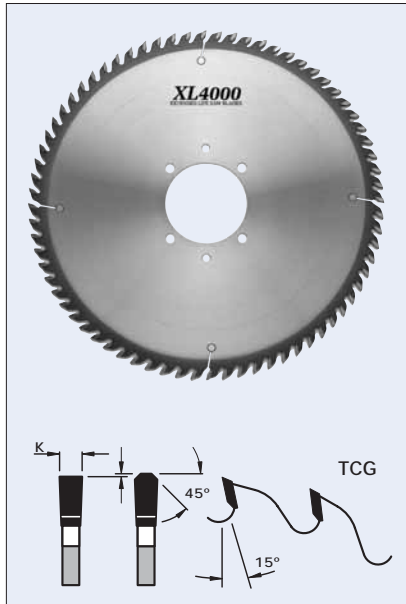
**DESIGN:**

- Tooth configuration: ATB
- Cutting material: TC **XL4000**
- Expansion slots: Cu plugged

APPLICATION:

- For sizing cuts in veneered particleboard, hard fiberboard, raw MDF panels and high-density plywood in single sheets and stacks
- On panel sizing saws (Beam Saws)

PART NO.	DIAM. mm	KERF mm	PLATE mm	BORE mm	TEETH	MACHINE
L5030048-30	305	4.4	3.0	30	48	Mayer, Panhans
L5030272-30	300	4.55	3.2	30	72	Schelling Postforming FX-H430
L5035054-30	355	4.4	3.0	30	54	SCM, Panhans, Mayer
L5035154-30	350	3.6	2.5	30	54	Holz-Her
L5035054-75	355	4.4	3.0	75	54	Giben Trend
L5035072-30	355	4.4	3.0	30	72	SCM, Panhans, Mayer, Schelling
L5035072-75	355	4.4	3.0	75	72	Giben
L5035072-80	350	4.4	3.0	80 _{4/2PH}	72	Gabbiani Casadei
L5040060-30	400	4.4	3.2	30	60	Schelling, Mayer, Irion
L5040060-75	400	4.4	3.2	75	60	Giben
L5040060-80	400	4.4	3.2	80 _{4/2PH}	60	Gabbiani
L5040072-60	400	4.4	3.2	60	72	Anthon Holzma
L5040072-75	400	4.4	3.2	75	72	Giben
L5040072-80	400	4.4	3.2	80 _{4/2PH}	72	Gabbiani
L5043072-30	430	4.4	3.2	30	72	
L5043072-80	430	4.4	3.2	80 _{4/2PH}	72	Selco
L5045072-30	450	4.4	3.2	30	72	Irion, Panhans, Schelling
L5045072-60	450	4.4	3.2	60	72	Holzma
L5045072-80	450	4.4	3.2	80 _{4/2PH}	72	Selco
L5067060-40	670	6.2	4.2	40	60	Schelling

**DESIGN:**

- Tooth configuration: TCG
- Cutting material: TC **XL4000**
- Expansion slots: Cu plugged

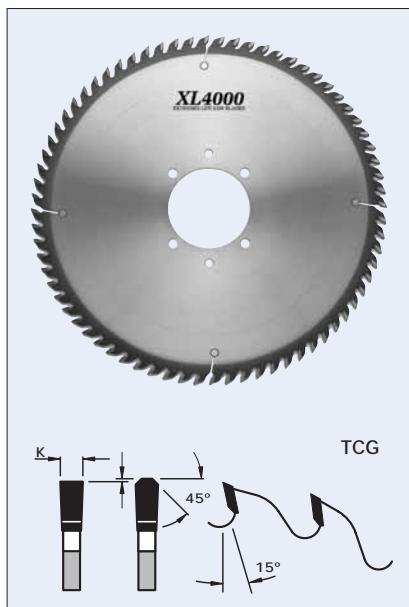
APPLICATION:

- For sizing cuts in plastic laminated panels and plywood in single sheets and stacks
- On panel sizing saws (Beam Saws)

PART NO.	DIAM. mm	KERF mm	PLATE mm	BORE mm	TEETH	MACHINE
L5224054-30	240	3.2	2.2	30 _{2PH}	54	Scheer FM10
L5225072-30	250	3.2	2.2	30 _{2PH}	72	Casadei Linea
L5230160-30	305	3.4	2.4	30	60	Scheer FM16
L5230048-30	305	4.4	3.0	30	48	Mayer, Panhans
L5230060-30	305	4.4	3.0	30	60	Mayer, Panhans
L5230060-65	300	4.4	3.2	65 _{2PH}	60	Selco EB70
L5230060-75	305	4.4	3.0	75	60	Giben Junior
L5230072-80	300	4.4	3.0	80 _{2PH}	72	SCM Sigma 65
L5232072-50	320	4.4	3.2	50 _{4/3PH}	72	Giben Smart 75
L5232060-75	320	4.6	3.2	75 _{3PH}	60	Giben
L5235054-30	355	4.4	3.0	30	54	SCM, Panhans, Mayer
L5235054-75	355	4.4	3.0	75	54	Giben Trend
L5235072-30	355	4.4	3.0	30	72	SCM, Panhans, Mayer, Schelling
L5235072-75	355	4.4	3.0	75	72	Giben
L5235072-114	350	4.4	3.0	1-1/4"	72	SCMI
L5235072-60	350	4.4	3.0	60 _{2PH}	72	Holzma HPP350
L5235072-80	350	4.4	3.0	80 _{4/2PH}	72	Gabbiani Casadei
L5235172-80	350	4.4	3.0	80 _{4/2PH}	72	SCM Sigma 90
L5235272-30	350	4.4	3.2	30 _{2PH}	72	Schelling FX-H430
L5235272-80	355	4.4	3.0	80 _{2/2PH}	72	Selco
L5236072-65	360	4.4	3.2	65 _{2PH}	72	Selco EB100
L5237072-30	370	4.4	3.2	30	72	Schelling
L5238060-60	380	4.4	3.2	60	60	Holzma
L5238072-60	380	4.4	3.2	60 _{2PH}	72	Holzma
L5238872-60	380	4.8	3.5	60 _{2PH}	72	Holzma Series 82
L5239072-50	390	4.4	3.2	50 _{4PH}	72	Giben Onix H105
L5240060-30	400	4.4	3.2	30	60	Schelling, Mayer, Irion
L5240060-75	400	4.4	3.2	75	60	Giben
L5240060-80	400	4.4	3.2	80 _{4/2PH}	60	Gabbiani
L5240072-30	400	4.4	3.2	30	72	Schelling, Mayer, Irion
L5240072-60	400	4.4	3.2	60	72	Anthon Holzma
L5240072-75	400	4.4	3.2	75	72	Giben
L5240172-75	400	4.4	3.2	75 _{4PH}	72	Giben Prismatic-1
L5240072-80	400	4.4	3.2	80 _{4/2PH}	72	Gabbiani
L5240272-80	400	4.4	3.2	80 _{4/2PH}	72	SCM Sigma 115
L5240172-80	400	4.4	3.2	80 _{4/2PH}	72	Selco
L5240860-75	400	4.8	3.5	75	60	Giben

Cont'd...

L52 XL4000 PANEL SIZING SAW BLADES



DESIGN:

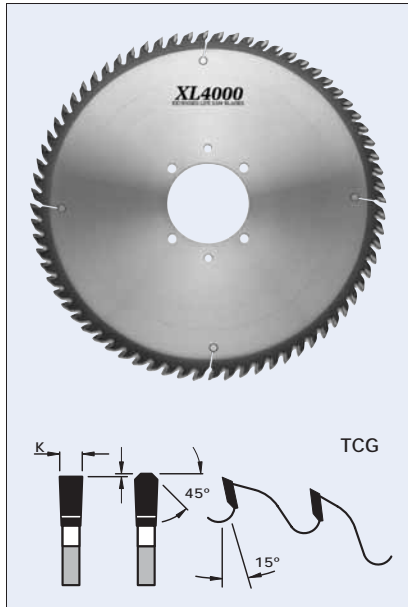
- Tooth configuration: TCG
- Cutting material: TC **XL4000**
- Expansion slots: Cu plugged

APPLICATION:

- For sizing cuts in plastic laminated panels and plywood in single sheets and stacks
- On panel sizing saws (Beam Saws)

PART NO.	DIAM. mm	KERF mm	PLATE mm	BORE mm	TEETH	MACHINE
L5241072-80	410	4.6	3.2	80 _{4PH}	72	Gabbiani
L5242072-60	420	4.4	3.2	60	72	Holzma
L5242672-60	420	4.6	3.2	60	72	Holzma
L5242860-60	420	4.8	3.5	60	60	Holzma
L5242872-60	420	4.8	3.5	60	72	Holzma
L5243072-30	430	4.4	3.2	30	72	
L5243072-60	430	4.4	3.2	60 _{1PH}	72	Anthon
L5243072-75	430	4.4	3.2	75 _{4PH}	72	Giben Prismatic-2
L5243096-75	430	4.4	3.2	75 _{4PH}	96	Giben Prismatic-2
L5243072-80	430	4.4	3.2	80 _{4/2PH}	72	Selco
L5245072-30	450	4.4	3.2	30	72	Panhans, Irion, Schelling
L5245072-60	450	4.4	3.2	60	72	Holzma
L5245072-80	450	4.4	3.2	80 _{4/2PH}	72	Selco
L5245172-80	450	4.4	3.2	80 _{2PH}	72	Gabbiani
L5245672-80	450	4.6	3.2	80 _{4/2PH}	72	Selco
L5245872-60	450	4.8	3.5	60 _{2PH}	72	Holzma
L5245872-80	450	4.8	3.5	80 _{4/2PH}	72	Selco
L5246060-30	460	4.4	3.2	30	60	Schelling
L5246072-30	460	4.4	3.2	30	72	Schelling
L5247072-30	470	4.4	3.2	30	72	Schelling
L5247096-75	470	4.4	3.2	75 _{4PH}	96	Giben Prismatic-3
L5248072-30	480	4.4	3.2	30	72	Schelling
L5248872-80	480	4.8	3.5	80 _{4/2PH}	72	Selco
L5250060-30	500	4.4	3.2	30	60	Schelling, Irion
L5250060-75	500	4.4	3.2	75	60	Giben
L5250060-80	500	4.4	3.2	80 _{2PH}	60	Gabbiani, Teutomatic
L5250072-75	500	4.4	3.2	75	72	Giben
L5250860-60	500	4.8	3.5	60	60	Holzma Type 21
L5250860-75	500	4.8	3.5	75	60	Giben
L5250872-60	500	4.8	3.5	60	72	Holzma Type 22
L5250872-75	500	4.8	3.5	75	72	Giben
L5250872-80	500	4.8	3.5	80 _{2PH}	72	Gabbiani
L5250572-60	500	5.0	3.5	60	72	Holzma Type 22
L5252060-60	520	4.8	3.5	60	60	Holzma
L5252072-60	520	4.8	3.5	60	72	Holzma

Cont'd...

**DESIGN:**

- Tooth configuration: TCG
- Cutting material: TC **XL4000**
- Expansion slots: Cu plugged

APPLICATION:

- For sizing cuts in plastic laminated panels and plywood in single sheets and stacks
- On panel sizing saws (Beam Saws)

PART NO.	DIAM. mm	KERF mm	PLATE mm	BORE mm	TEETH	MACHINE
L5253060-30	530	5.0	3.5	30	60	Schelling
L5253060-60	530	5.8	4.0	60 _{1PH}	60	Anthon
L5254060-60	540	4.8	3.5	60 _{2PH}	60	Holzma
L5254084-60	540	4.8	3.5	60 _{2PH}	84	Holzma
L5255060-40	550	5.0	3.5	40	60	Schelling
L5255260-60	550	5.2	3.5	60	60	Holzma
L5255060-80	550	5.0	3.5	80	60	Teutomatic
L5255272-100	550	5.2	3.5	100	72	Giben
L5256560-100	565	5.0	3.5	100	60	Giben
L5256572-100	565	5.0	3.5	100	72	Giben
L5257860-60	570	5.8	4.3	60	60	Holzma
L5258060-40	580	5.5	4.0	40 _{2/1PH}	60	Schelling
L5260060-60	600	5.8	4.2	60 _{2PH}	60	Holzma
L5260072-60	600	5.8	4.2	60 _{2PH}	72	Holzma
L5263060-40	630	6.2	4.0	40	60	Schelling
L5265060-100	650	6.0	4.2	100 _{2PH}	60	Giben
L5265072-40	650	6.2	4.0	40	72	Schelling
L5267072-40	670	6.2	4.2	40	72	Schelling
L5267060-60	670	6.0	4.0	60	60	Holzma
L5267072-60	670	6.0	4.0	60	72	Holzma Type 61
L5268060-40	680	6.2	4.2	40 _{2/2PH}	60	Schelling
L5270060-80	700	6.2	4.4	80 _{2PH}	60	Anthon

COMBINATION MAIN SAW/SCORING SAW

MACHINE TYPE	MAIN SAW						SCORING SAW					
	PART NO.	DIAM. mm	KERF mm	BORE mm	NO. TEETH	TOOTH CONF.	PART NO.	DIAM. mm	KERF mm	BORE mm	NO. TEETH	TOOTH CONF.
Anthon LNA	L5240072-60	400	4.4	60	72	TCG	52718001-20	180	4.4/5.4	20	28	Conic
	L5040072-60	400	4.4	60	72	ATB	52718001-20	180	4.4/5.4	20	28	Conic
Anthon CP	L5243072-60	430	4.4	60	72	TCG	52718001-20	180	4.4/5.4	20	28	Conic
Anthon LNB	L5253060-60	530	5.8	60	60	TCG	52718003	180	5.8/6.8	20	30	Conic
Anthon LNC	L5270060-80	700	6.2	80	60	TCG	52718004	180	6.2/7.2	20	30	Conic
Casadei Linea	L5225072-30	250	3.2	30	72	TCG	52712500	125	3.2/4.2	20	24	Conic
Gabbiani	L5235072-80	350	4.4	80	72	TCG	52716005	160	4.4/5.4	55	36	Conic
	L5035072-80	350	4.4	80	72	ATB	52716005	160	4.4/5.4	55	36	Conic
	L5240060-80	400	4.4	80	60	TCG	52716005	160	4.4/5.4	55	36	Conic
	L5040060-80	400	4.4	80	60	ATB	52716005	160	4.4/5.4	55	36	Conic
	L5240072-80	400	4.4	80	72	TCG	52716005	160	4.4/5.4	55	36	Conic
	L5040072-80	400	4.4	80	72	ATB	52716005	160	4.4/5.4	55	36	Conic
Gabbiani Galaxy	L5245172-80	450	4.4	80	72	TCG	52720001-80	200	4.4/5.4	80	34	Conic
Gabbiani Elite	L5245172-80	450	4.4	80	72	TCG	52720001-80	200	4.4/5.4	80	34	Conic
Gabbiani	L5250060-80	500	4.4	80	60	TCG	52716005	160	4.4/5.4	55	36	Conic
	L5250872-80	500	4.8	80	72	TCG	52716006	160	4.8/5.8	55	36	Conic
Giben Junior	L5230060-75	305	4.4	75	60	TCG	52712503	125	4.4/5.4	45	24	Conic
Giben Smart 75	L5232072-50	320	4.4	50	72	TCG	52718001-50	180	4.4/5.4	50	36	Conic
Giben	L5232060-75	320	4.6	75	60	TCG	52720006-50	200	4.6/5.6	50	44	Conic
Giben Trend	L5235054-75	355	4.4	75	54	TCG	52712503	125	4.4/5.4	45	24	Conic
	L5035054-75	355	4.4	75	54	ATB	52712503	125	4.4/5.4	45	24	Conic
Giben	L5235072-75	355	4.4	75	72	TCG	52712503	125	4.4/5.4	45	24	Conic
	L5035072-75	355	4.4	75	72	ATB	52712503	125	4.4/5.4	45	24	Conic
Giben Onix H105	L5239072-50	390	4.4	50	72	TCG	52718001-50	180	4.4/5.4	50	36	Conic
Giben	L5240060-75	400	4.4	75	60	TCG	52712503	125	4.4/5.4	45	24	Conic
	L5040060-75	400	4.4	75	60	ATB	52712503	125	4.4/5.4	45	24	Conic
	L5240860-75	400	4.8	75	60	TCG	52712504	125	4.8/5.8	45	24	Conic
	L5240072-75	400	4.4	75	72	TCG	52712503	125	4.4/5.4	45	24	Conic
	L5040072-75	400	4.4	75	72	ATB	52712503	125	4.4/5.4	45	24	Conic
Giben Prismatic-1	L5240172-75	400	4.4	75	72	TCG	52716003	160	4.4/5.4	45	28	Conic
Giben Prismatic-2	L5243072-75	430	4.4	75	72	TCG	52721501	215	4.4/5.4	50	42	Conic
	L5243096-75	430	4.4	75	96	TCG	52721501	215	4.4/5.4	50	42	Conic
Giben Prismatic-3	L5247096-75	470	4.4	75	96	TCG	52721501	215	4.4/5.4	50	42	Conic
Giben	L5250060-75	500	4.4	75	60	TCG	52712503	125	4.4/5.4	45	24	Conic
	L5250072-75	500	4.4	75	72	TCG	52712701	127	4.4/5.4	45	24	Conic
	L5250860-75	500	4.8	75	60	TCG	52712504	125	4.8/5.8	45	24	Conic
	L5250872-75	500	4.8	75	72	TCG	52712504	125	4.8/5.8	45	24	Conic
Giben Matic	L5255272-100	550	5.2	100	72	TCG	52718002-55	180	5.2/6.2	55	30	Conic
	L5256560-100	565	5.0	100	60	TCG	52718002-55	180	5.2/6.2	55	30	Conic
	L5256572-100	565	5.0	100	72	TCG	52718002-55	180	5.2/6.2	55	30	Conic

Cont'd...

COMBINATION MAIN SAW/SCORING SAW

MACHINE TYPE	MAIN SAW						SCORING SAW					
	PART NO.	DIAM. mm	KERF mm	BORE mm	NO. TEETH	TOOTH CONF.	PART NO.	DIAM. mm	KERF mm	BORE mm	NO. TEETH	TOOTH CONF.
Holz-Her	L5035154-30	350	3.6	30	54	ATB	52812501-22	125	2.8/3.6	22	2x20	Split
Holzma HPP350	L5235072-60	350	4.4	60	72	TCG	52718001-45	180	4.4/5.4	45	28	Conic
Holzma	L5238060-60	380	4.4	60	60	TCG	52720001-45	200	4.4/5.4	45	34	Conic
	L5238072-60	380	4.4	60	72	TCG	52720001-45	200	4.4/5.4	45	34	Conic
	L5238872-60	380	4.8	60	72	TCG	52718002	180	4.8/5.8	45	36	Conic
	L5240072-60	400	4.4	60	72	TCG	52720001-45	200	4.4/5.4	45	34	Conic
	L5040072-60	400	4.4	60	72	ATB	52720001-45	200	4.4/5.4	45	34	Conic
	L5242072-60	420	4.4	60	72	TCG	52720001-45	200	4.4/5.4	45	34	Conic
	L5242672-60	420	4.6	60	72	TCG	52720006	200	4.6/5.6	45	34	Conic
	L5242860-60	420	4.8	60	60	TCG	52720002	200	4.8/5.8	45	34	Conic
	L5242872-60	420	4.8	60	72	TCG	52720002	200	4.8/5.8	45	34	Conic
	L5245072-60	450	4.4	60	72	TCG	52720001-45	200	4.4/5.4	45	34	Conic
	L5045072-60	450	4.4	60	72	ATB	52720001-45	200	4.4/5.4	45	34	Conic
	L5245872-60	450	4.8	60	72	TCG	52720002	200	4.8/5.8	45	34	Conic
	L5245872-60	450	4.8	60	72	TCG	52718002	180	4.8/5.8	45	36	Conic
	L5250860-60	500	4.8	60	60	TCG	52720002	200	4.8/5.8	45	34	Conic
	L5250872-60	500	4.8	60	72	TCG	52720002	200	4.8/5.8	45	34	Conic
	L5250572-60	500	5.0	60	72	TCG	52720002	200	4.8/5.8	45	34	Conic
	L5252060-60	520	4.8	60	60	TCG	52720002	200	4.8/5.8	45	34	Conic
	L5252072-60	520	4.8	60	72	TCG	52720002	200	4.8/5.8	45	34	Conic
	L5254060-60	540	4.8	60	60	TCG	52720002	200	4.8/5.8	45	34	Conic
	L5254084-60	540	4.8	60	84	TCG	52720002	200	4.8/5.8	45	34	Conic
L5255260-60	550	5.2	60	60	TCG	52720002	200	4.8/5.8	45	34	Conic	
L5257860-60	570	5.8	60	60	TCG	52720008	200	5.8/6.8	45	34	Conic	
L5260060-60	600	5.8	60	60	TCG	52720008	200	5.8/6.8	45	34	Conic	
L5260072-60	600	5.8	60	72	TCG	52720008	200	5.8/6.8	45	34	Conic	
L5267060-60	670	6.0	60	60	TCG	52720008	200	5.8/6.8	45	34	Conic	
L5267072-60	670	6.0	60	72	TCG	52720008	200	5.8/6.8	45	34	Conic	
Schelling	L5235072-30	355	4.4	30	72	TCG	52720001-20	200	4.4/5.4	20	34	Conic
Schelling FX H430	L5235272-30	350	4.4	30	72	TCG	L5030272-30	300	4.55	30	72	ATB
Schelling	L5237072-30	370	4.4	30	72	TCG	52720001-20	200	4.4/5.4	20	34	Conic
	L5240060-30	400	4.4	30	60	TCG	52720001-20	200	4.4/5.4	20	34	Conic
	L5040060-30	400	4.4	30	60	ATB	52720001-20	200	4.4/5.4	20	34	Conic
	L5240072-30	400	4.4	30	72	TCG	52720001-20	200	4.4/5.4	20	34	Conic
	L5240072-30	400	4.4	30	72	TCG	52715003-20	150	4.4/5.4	20	24	Conic
	L5245072-30	450	4.4	30	72	TCG	52720001-20	200	4.4/5.4	20	34	Conic
	L5045072-30	450	4.4	30	72	ATB	52720001-20	200	4.4/5.4	20	34	Conic
	L5246060-30	460	4.4	30	60	TCG	52720001-20	200	4.4/5.4	20	34	Conic
L5246072-30	460	4.4	30	72	TCG	52720001-20	200	4.4/5.4	20	34	Conic	

Cont'd...

COMBINATION MAIN SAW/SCORING SAW

MACHINE TYPE	MAIN SAW						SCORING SAW					
	PART NO.	DIAM. mm	KERF mm	BORE mm	NO. TEETH	TOOTH CONF.	PART NO.	DIAM. mm	KERF mm	BORE mm	NO. TEETH	TOOTH CONF.
Schelling	L5247072-30	470	4.4	30	72	TCG	52720001-20	200	4.4/5.4	20	34	Conic
	L5248072-30	480	4.4	30	72	TCG	52720001-20	200	4.4/5.4	20	34	Conic
	L5250060-30	500	4.4	30	60	TCG	52718001-20	180	4.4/5.4	20	28	Conic
	L5253060-30	530	5.0	30	60	TCG	52720003	200	5.0/6.0	20	34	Conic
	L5255060-40	550	5.0	40	60	TCG	52720003	200	5.0/6.0	20	34	Conic
	L5258060-40	580	5.5	40	60	TCG	52720005	200	5.5/6.5	20	36	Conic
							52822001-20	220	4.4/5.6	20	24+24	Split
	L5263060-40	630	6.2	40	60	TCG	52720009	200	6.2/7.2	20	34	Conic
	L5265072-40	650	6.2	40	72	TCG	52720009	200	6.2/7.2	20	34	Conic
	L5267060-40	670	6.2	40	60	TCG	52720009	200	6.2/7.2	20	34	Conic
	L5067060-40	670	6.2	40	60	ATB	52720009	200	6.2/7.2	20	34	Conic
L5268060-40	680	6.2	40	60	TCG	52720009	200	6.2/7.2	20	34	Conic	
Scheer	L5224054-30	240	3.2	30	54	TCG	52714001	140	3.2/4.2	16	32	Conic
	L5230160-30	305	3.4	30	60	TCG	52720004	200	3.3/4.3	30	60	Conic
SCM	L5235054-30	355	4.4	30	54	TCG	52716005	160	4.4/5.4	55	36	Conic
	L5035054-30	355	4.4	30	54	ATB	52716005	160	4.4/5.4	55	36	Conic
	L5235072-30	355	4.4	30	72	TCG	52716005	160	4.4/5.4	55	36	Conic
	L5035072-30	355	4.4	30	72	ATB	52716005	160	4.4/5.4	55	36	Conic
SCMI	L5235072-114	350	4.4	1-1/4"	72	TCG	52715003-114	150	4.4/5.4	1-1/4"	24	Conic
SCM Sigma 65	L5230072-80	300	4.4	80	72	TCG	52716005	160	4.4/5.4	55	36	Conic
Sigma 65 New	L5230072-80	300	4.4	80	72	TCG	52720001-80	200	4.4/5.4	80	34	Conic
SCM Sigma 90	L5235172-80	350	4.4	80	72	TCG	52716005	160	4.4/5.4	55	36	Conic
Sigma 90 New	L5235172-80	350	4.4	80	72	TCG	52720001-80	200	4.4/5.4	80	34	Conic
SCM Sigma 115	L5240272-80	400	4.4	80	72	TCG	52720001-80	200	4.4/5.4	80	34	Conic
Selco EB70	L5230060-65	300	4.4	65	60	TCG	52720005-65	200	4.4/5.4	65	34	Conic
Selco	L5235272-80	355	4.4	80	72	TCG	52720001-65	200	4.4/5.4	65	34	Conic
Selco EB100	L5236072-65	360	4.4	65	72	TCG	52720005-65	200	4.4/5.4	65	34	Conic
Selco	L5240172-80	400	4.4	80	72	TCG	52720001-65	200	4.4/5.4	65	34	Conic
	L5243072-80	430	4.4	80	72	TCG	52720001-65	200	4.4/5.4	65	34	Conic
	L5043072-80	430	4.4	80	72	ATB	52720001-65	200	4.4/5.4	65	34	Conic
	L5245072-80	450	4.4	80	72	TCG	52720001-65	200	4.4/5.4	65	34	Conic
	L5045072-80	450	4.4	80	72	ATB	52720001-65	200	4.4/5.4	65	34	Conic
	L5245672-80	450	4.6	80	72	TCG	52720006-65	200	4.6/5.6	65	34	Conic
	L5245872-80	450	4.8	80	72	TCG	52720002-65	200	4.8/5.8	65	34	Conic
	L5248872-80	480	4.8	80	72	TCG	52720002-65	200	4.8/5.8	65	34	Conic