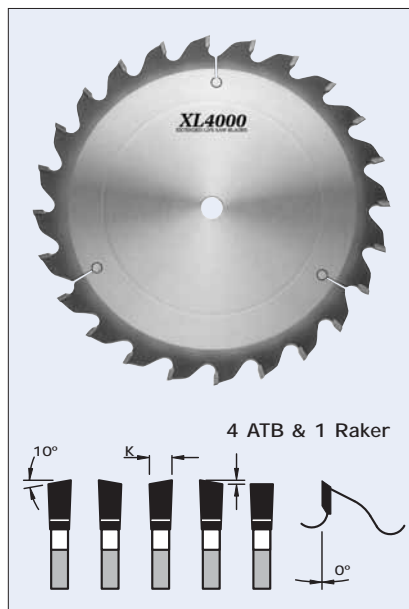


S07 XL4000 RADIAL ARM SAW BLADES



DESIGN:

- Tooth configuration: 4 ATB & 1 Raker
- Cutting material: TC **XL4000**
- Expansion slots: Cu plugged
- 0° hook angle reduces the tendency of the blade grabbing the material

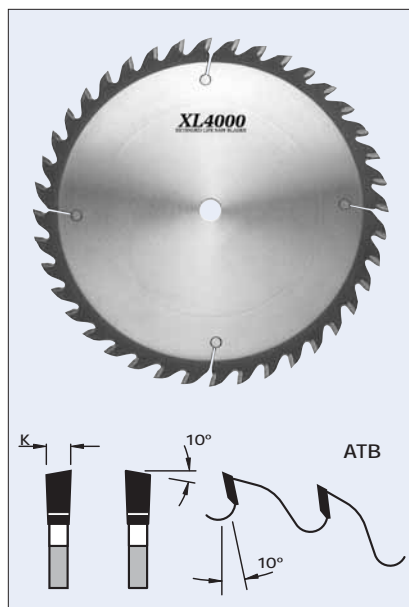
APPLICATION:

- For cross cutting and ripping dry soft and hardwoods
- On radial arm saws and other saws where the blade is above the work piece

PART NO.	DIAM.	KERF	PLATE	BORE	TEETH
S07250*	10"	.135"	.095"	5/8"	24
S07300*	12"	.150"	.110"	1"	36
S07350	14"	.165"	.118"	1"	40

*2 ATB & 1 Raker

S03/S09 XL4000 CROSS CUT SAW BLADES



DESIGN:

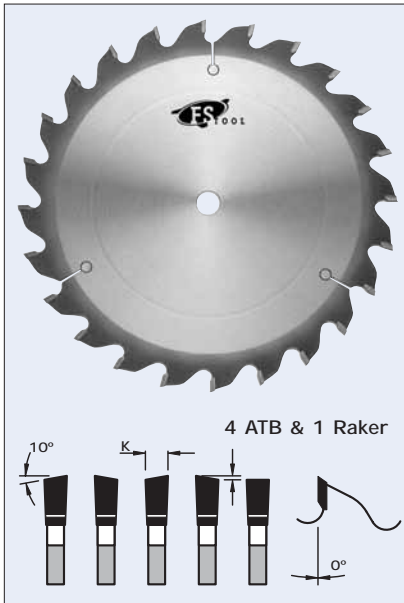
- Tooth configuration: ATB
- Cutting material: TC **XL4000**
- Expansion slots: Cu plugged

APPLICATION:

- For cross cutting and ripping dry soft and hardwoods, plywood, masonite and raw MDF panels
- On table saws, sliding table saws and cut-off saws

PART NO.	DIAM.	KERF	PLATE	BORE	TEETH
S03250	10"	.126"	.087"	5/8"	40
S03300	12"	.135"	.095"	1"	48
S09300	12"	.135"	.095"	1"	60
S03350	14"	.155"	.110"	1"	60
S03400	16"	.155"	.110"	1"	60
S09400	16"	.155"	.110"	1"	80

L07 RADIAL ARM SAW BLADES



DESIGN:

- Tooth configuration: 4 ATB & 1 Raker
- Cutting material: TC
- Expansion slots: Cu plugged
- 0° hook angle reduces the tendency of the blade grabbing the material

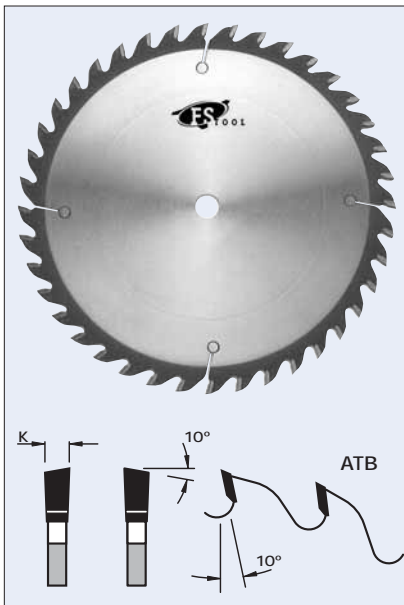
APPLICATION:

- For cross cutting and ripping dry soft and hardwoods
- On radial arm saws and other saws where the blade is above the work piece

PART NO.	DIAM.	KERF	PLATE	BORE	TEETH
L07250*	10"	.135"	.095"	5/8"	24
L07300*	12"	.150"	.110"	1"	36
L07350	14"	.165"	.118"	1"	40
L07400	16"	.165"	.118"	1"	40

* 2 ATB & 1 Raker

L03 CROSS CUT SAW BLADES



DESIGN:

- Tooth configuration: ATB
- Cutting material: TC
- Expansion slots: Cu plugged

APPLICATION:

- For cross cutting and ripping dry soft and hardwoods, plywood, masonite and raw MDF panels
- On table saws, sliding table saws and cut-off saws

PART NO.	DIAM.	KERF	PLATE	BORE	TEETH
L03150	6"	.125"	.087"	5/8"	30
L03180	7"	.125"	.087"	5/8"	30
L03200	8"	.125"	.087"	5/8"	40
L03225	9"	.125"	.087"	5/8"	40
L03250	10"	.125"	.087"	5/8"	40
L03300	12"	.135"	.095"	1"	48
L03350	14"	.155"	.110"	1"	60
L03400	16"	.155"	.110"	1"	60
L03450	18"	.185"	.138"	1"	60
L03500	20"	.185"	.138"	1"	80