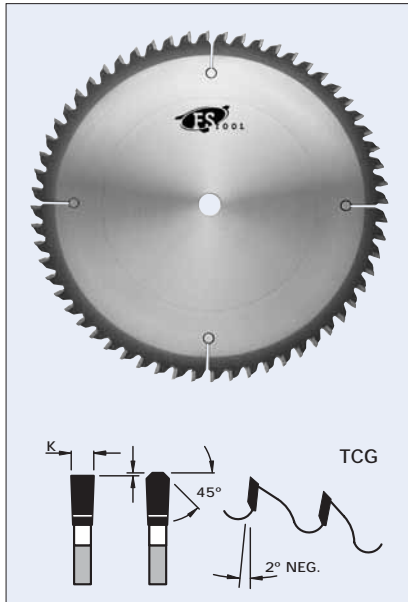


L1A SAW BLADES FOR NON-FERROUS METALS



DESIGN:

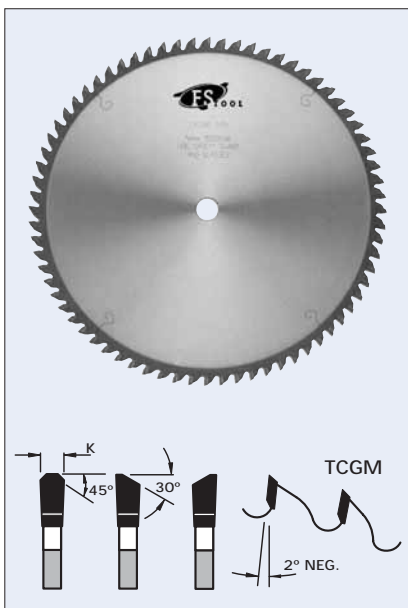
- Tooth configuration: TCG
- Cutting material: TC
- Expansion slots: Cu plugged

APPLICATION:

- For splitting and mitre jointing non-ferrous extrusions, sheets and light bars
- On mitre joint, splitting, trimming, double cross-cutting and sizing machines
- Material to be cut must be clamped firmly
- Use of spray lubrication recommended

PART NO.	DIAM.	KERF	PLATE	BORE	TEETH
L1A180	7"	.112"	.087"	5/8"	44
L1A200	8"	.112"	.087"	5/8"	48
L1A225	9"	.112"	.087"	5/8"	60
L1A250	10"	.112"	.087"	5/8"	60
L1A252	10"	.126"	.102"	5/8"	60
L1A308	12"	.124"	.110"	5/8"	80
L1A300	12"	.122"	.095"	1"	80
L1A350	14"	.145"	.118"	1"	90
L1A400	16"	.145"	.118"	1"	100
L1A450	18"	.174"	.138"	1"	100
L1A500	20"	.174"	.138"	1"	100

L1C SAW BLADES FOR NON-FERROUS METALS



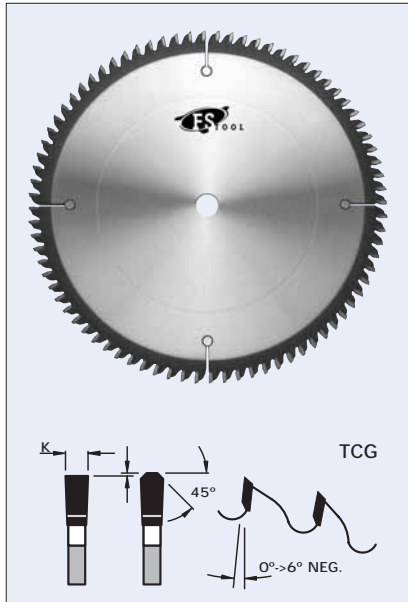
DESIGN:

- Tooth configuration: TCGM
- Cutting material: TC
- Expansion slots: Cu plugged

APPLICATION:

- For splitting and mitre jointing thin non-ferrous extrusions, thin sheets and light non-ferrous bars
- On mitre joint, splitting, trimming, double cross-cutting and sizing machines
- Material to be cut must be clamped firmly
- Use of spray lubrication recommended

PART NO.	DIAM.	KERF	PLATE	BORE	TEETH
L1C250	10"	.118"	.095"	5/8"	72
L1C300	12"	.126"	.102"	1"	90
L1C308	12"	.126"	.102"	5/8"	90

**DESIGN:**

- Tooth configuration: TCG
- Cutting material: TC
- Expansion slots: Cu plugged

APPLICATION:

- For splitting and mitre jointing thin non-ferrous extrusions, thin sheets and light non-ferrous bars
- On mitre joint, splitting, trimming, double cross-cutting and sizing machines
- Material to be cut must be clamped firmly
- Use of spray lubrication recommended

PART NO.	DIAM.	KERF	PLATE	BORE	TEETH
L1B200	8"	.112"	.087"	5/8"	60
L1B250	10"	.112"	.087"	5/8"	80
L1B252	10"	.126"	.102"	5/8"	80
L1B251	10"	.112"	.087"	5/8"	100
L1B306-30	300mm	3.2mm	2.6mm	30mm	96
L1B308 ▲	12"	.134"	.110"	5/8"	100
L1B300	12"	.120"	.095"	1"	100
L1B301	12"	.126"	.102"	1"	100
L1B330-32	330mm	3.2mm	2.5mm	32mm	100
L1B351 ●	14"	.122"	.098"	25mm	100
L1B350	14"	.145"	.118"	1"	100
L1B353	350mm	3.3mm	2.6mm	32mm	108
L1B358 ▲	14"	.146"	.118"	5/8"	100
L1B380 ■	15"	.120"	.098"	1"	100
L1B400	16"	.145"	.118"	1"	120
L1B500	20"	.174"	.138"	1"	120
L1B501	500mm	4.4mm	3.8mm	30mm	120

- ▲ Pistorius Mitre Saw
- Makita Mitre Saw (with 25mm arbor)
- Hitachi Mitre Saw