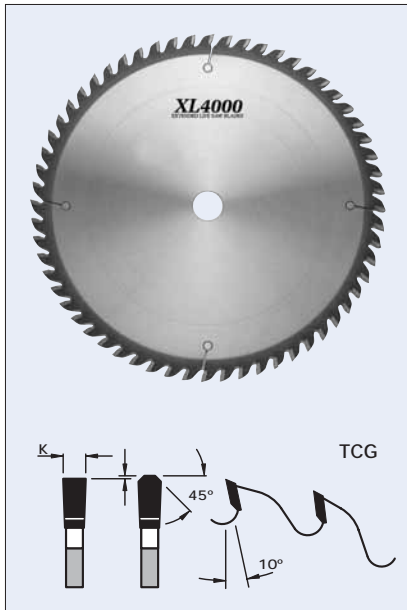


S19

XL4000 CROSS CUT SAW BLADES



DESIGN:

- Tooth configuration: TCG
- Cutting material: TC **XL4000**
- Expansion slots: Cu plugged

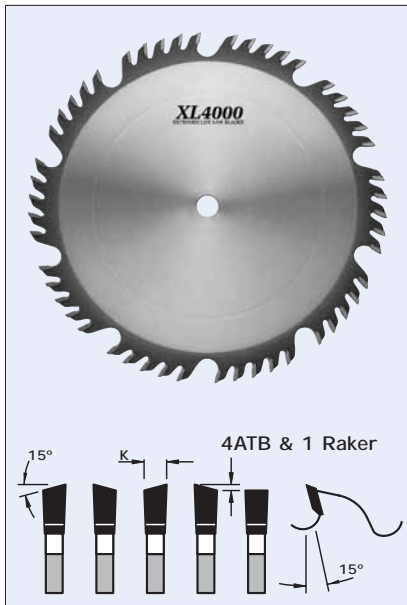
APPLICATION:

- For cross cutting and ripping dry soft and hardwoods, plastic laminated composite materials (single sided)
- On table saws, sliding table saws and cut-off saws

PART NO.	DIAM.	KERF	PLATE	BORE	TEETH
S19250	10"	.126"	.087"	5/8"	40
S19300	12"	.135"	.095"	1"	60
S19350	14"	.155"	.110"	1"	60
S19400	16"	.155"	.110"	1"	80

S55

XL4000 COMBINATION/PLANER SAW BLADES



DESIGN:

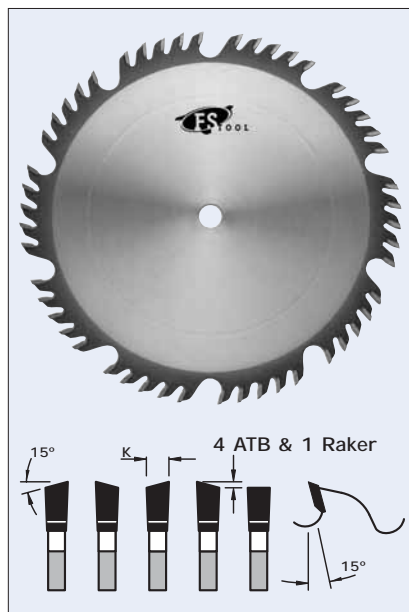
- Tooth configuration: 4 ATB & 1 Raker
- Cutting material: TC **XL4000**
- Four ATB teeth and one raker with deep gullet allow for deeper cuts and improved chip-flow

APPLICATION:

- For cross cutting and ripping dry soft and hardwoods, plywood and particleboard
- On table saws, sliding table saws and cut-off saws

PART NO.	DIAM.	KERF	PLATE	BORE	TEETH
S55225	9"	.125"	.087"	5/8"	40
S55250	10"	.138"	.095"	5/8"	50
S55300	12"	.155"	.110"	1"	60
S55350	14"	.165"	.118"	1"	70

L55 COMBINATION SAW BLADES



DESIGN:

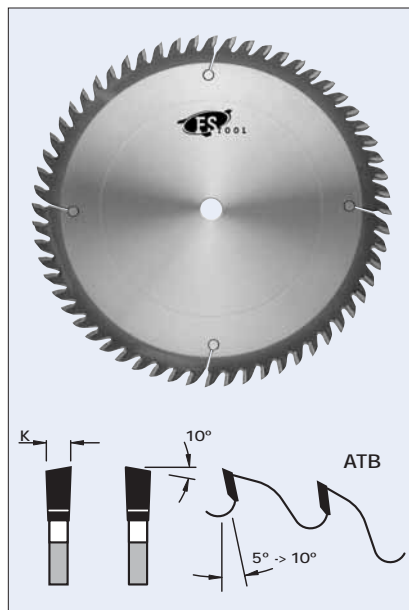
- Tooth configuration: 4 ATB & 1 Raker
- Cutting material: TC
- Four ATB teeth and one raker with deep gullet allow for deeper cuts and improved chip-flow

APPLICATION:

- For cross cutting and ripping soft and hardwoods, plywood and particleboard
- On table saws, sliding table saws and cut-off saws

PART NO.	DIAM.	KERF	PLATE	BORE	TEETH
L55180	7"	.125"	.087"	5/8"	40
L55200	8"	.125"	.087"	5/8"	40
L55225	9"	.125"	.087"	5/8"	40
L55250	10"	.138"	.095"	5/8"	50
L55300	12"	.155"	.110"	1"	60
L55350	14"	.165"	.118"	1"	70
L55400	16"	.165"	.118"	1"	80

L04 STANDARD CROSS CUT SAW BLADES



DESIGN:

- Tooth configuration: ATB
- Cutting material: TC
- Expansion slots: Cu plugged

APPLICATION:

- For general cut-off and trimming of soft and hardwoods, plywood and composite panel materials, wood veneered (single sided), or (double sided) using a pre-scoring unit
- On table saws, sliding table saws and cut-off saws

PART NO.	DIAM.	KERF	PLATE	BORE	TEETH
L04180	7"	.125"	.087"	5/8"	40
L04200	8"	.125"	.087"	5/8"	48
L04225	9"	.126"	.087"	5/8"	60
L04250	10"	.126"	.087"	5/8"	60
L04302▲	300mm	3.4mm	2.4mm	30mm	72
L04300	12"	.135"	.095"	1"	80
L04350	14"	.150"	.110"	1"	80
L04400	16"	.160"	.118"	1"	100
L04450	18"	.185"	.138"	1"	100
L04500	20"	.185"	.138"	1"	120

▲ Altendorf, Omega, SCMI, Striebig