**DESIGN:**

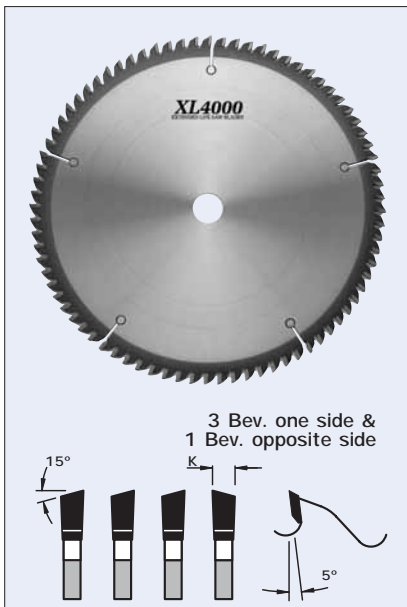
- Tooth configuration: TC2
- Cutting material: TC **XL4000**
- Expansion slots: Cu plugged

APPLICATION:

- For fine sizing cuts in single or double laminated panels, plexiglass and solid surface materials such as Wilsonart® Gibraltar®, SSV®, Corian®, Surell®, Avonite®, Fountainhead®, etc.
- On table saws, sliding table saws, radial arm saws and vertical panel sizing saws

PART NO.	DIAM.	KERF	PLATE	BORE	TEETH
SS1200	8"	.126"	.087"	5/8"	60
SS1220 ▲	220mm	3.4mm	2.4mm	30mm	64
SS1249	10"	.126"	.087"	5/8"	60
SS1250	10"	.126"	.087"	5/8"	80
SS1299-30 ●	300mm	3.4mm	2.4mm	30mm	80
SS1300-30 ●	300mm	3.4mm	2.4mm	30mm	100
SS1299	12"	.135"	.095"	1"	80
SS1300	12"	.135"	.095"	1"	100
SS1350	14"	.158"	.118"	1"	100
SS1400	16"	.160"	.118"	1"	120
SS1450	18"	.185"	.138"	1"	120

- ▲ Holz-Her
- Altendorf, Striebig

**DESIGN:**

- Tooth configuration: 3 bevelled one side & 1 bevelled opposite side.
Supplied in pairs 1 LH & 1 RH (order separately)
- Cutting material: TC **XL4000**
- Extra heavy plate provides added stability
- Expansion slots: Cu plugged

APPLICATION:

- For fine cut-off and mitre cuts of soft and hardwoods, and trimming of plywood, wood veneered and plastic laminated panels (single sided), or (double sided) using a pre-scoring unit
- On double cut-off machines and single or double end tenoners

PART NO.	DIAM.	KERF	PLATE	BORE	TEETH
S4D250-LH	10"	.165"	.118"	5/8"	60
S4D250-RH	10"	.165"	.118"	5/8"	60
S4D300-LH	12"	.160"	.118"	1"	80
S4D300-RH	12"	.160"	.118"	1"	80
S6D350-LH	14"	.185"	.138"	1"	100
S6D350-RH	14"	.185"	.138"	1"	100