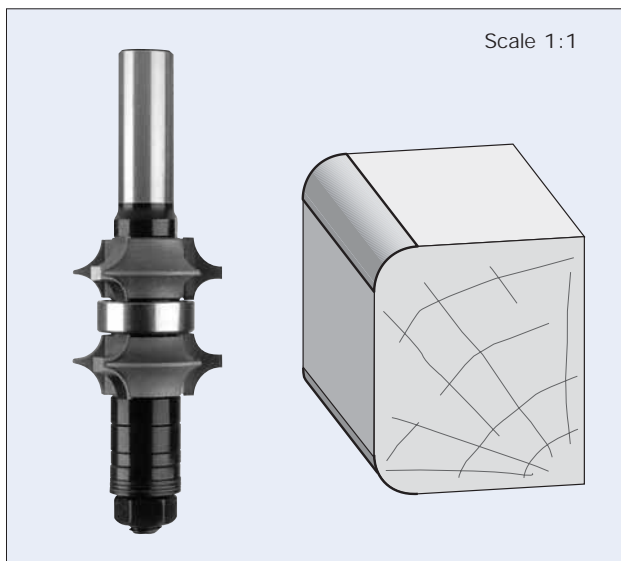


R2530 ADJUSTABLE ROUNDING OVER
SET 3 WINGS DOUBLE RADIUS



PART NO.	LARGE DIAM.	RADIUS R1	RADIUS R2	SHANK DIAM.	OVERALL LENGTH
R2530	1-3/8"	1/4"	3/16"	1/2"	4-1/4"

Fully adjustable set for corner rounding top and bottom in just one pass.

R 3/16" Adjustable from 3/8" to 1-3/8" wood thickness
R 1/4" Adjustable from 1/2" to 1-1/2" wood thickness

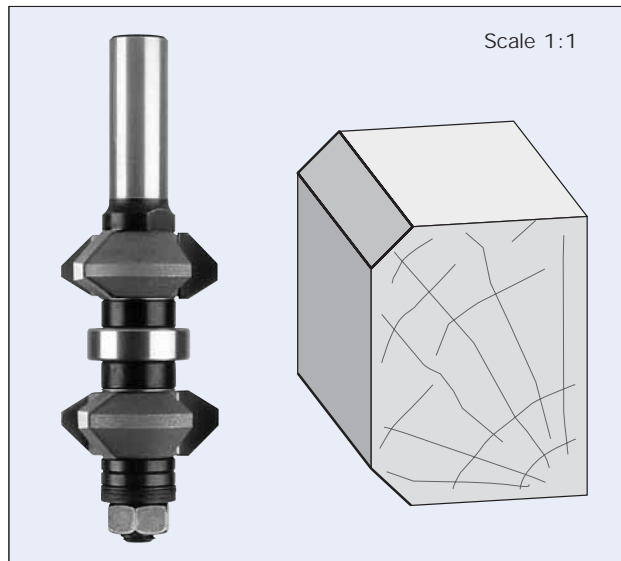
Replacement Cutters

Top cutter (right) R2530CR
Bottom cutter (left) R2530CL

Replacement Parts

Ball Bearing B5
Arbor and nut AR22
Nut only WNF516
Spacer (6.0mm 2 pcs.) WF618
Spacer (3.0mm 2 pcs.) WF610
Spacer (1.0mm 3 pcs.) WF608
Spacer (0.5mm 1 pc.) WF606
Spacer (0.1mm 4 pcs.) WF604

R2535 ADJUSTABLE 3 WINGS
CHAMFERING SET DOUBLE ANGLE



PART NO.	LARGE DIAM.	DEGREES BEVEL-1	DEGREES BEVEL-2	SHANK DIAM.	OVERALL LENGTH
R2535	1-3/8"	30°	45°	1/2"	4-1/4"

Fully adjustable set for corner bevelling top and bottom in just one pass.

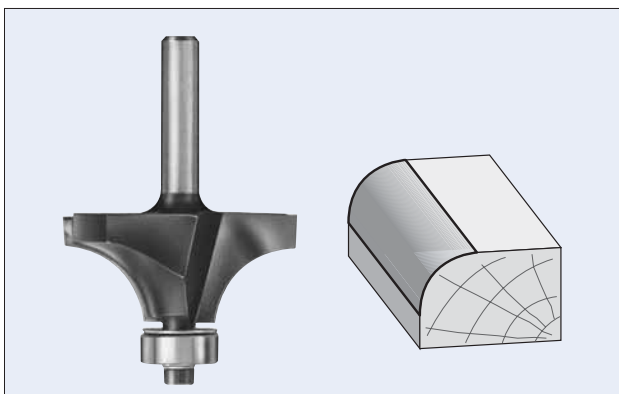
Bevel 30° adjustable from 3/8" to 1-3/8" wood thickness
Bevel 45° adjustable from 1/2" to 1-5/8" wood thickness

Replacement Cutters

Top cutter (right) R2535CR
Bottom cutter (left) R2535CL

Replacement Parts

Ball Bearing B5
Arbor and nut AR22
Nut only WNF516
Spacer (6.0mm 2 pcs.) WF618
Spacer (3.0mm 2 pcs.) WF610
Spacer (1.0mm 4 pcs.) WF608
Spacer (0.5mm 1 pc.) WF606
Spacer (0.1mm 4 pcs.) WF604

R3000
ROUNDING OVER BITS W/BALL BEARING GUIDE TWO FLUTES


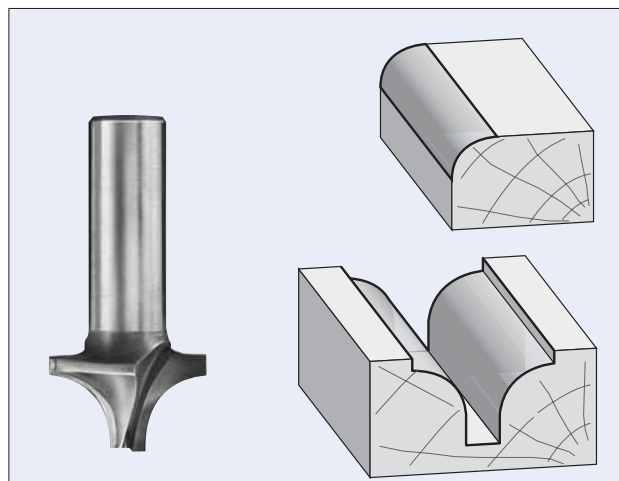
PART NO.	LARGE DIAM.	RADIUS	CARBIDE HEIGHT	SHANK DIAM.
R3000-1	5/8"	1/16"	5/16"	1/4"
R3000-2	3/4"	1/8"	3/8"	1/4"
R3000-3	3/4"	5/32"	3/8"	1/4"
R3000	7/8"	3/16"	1/2"	1/4"
R3001	1"	1/4"	1/2"	1/4"
R3002	1-1/8"	5/16"	1/2"	1/4"
R3003	1-1/4"	3/8"	5/8"	1/4"
R3004	1-1/2"	1/2"	3/4"	1/4"
R3004-1	1-3/4"	5/8"	7/8"	1/4"
R3005-1	5/8"	1/16"	5/16"	1/2"
R3005-2	3/4"	1/8"	3/8"	1/2"
R3005-3	3/4"	5/32"	3/8"	1/2"
R3005	7/8"	3/16"	1/2"	1/2"
R3006	1"	1/4"	1/2"	1/2"
R3007	1-1/8"	5/16"	1/2"	1/2"
R3008	1-1/4"	3/8"	5/8"	1/2"
R3009	1-1/2"	1/2"	3/4"	1/2"
R3009-1	1-3/4"	5/8"	7/8"	1/2"
R3010	2"	3/4"	1"	1/2"
R3010-1	2-1/4"	7/8"	1-1/4"	1/2"
R3011	2-1/2"	1"	1-1/4"	1/2"
R3011-1 *	2-3/4"	1-1/8"	1-3/8"	1/2"
R3012 *	3"	1-1/4"	1-1/2"	1/2"
R3012-1 **	3-1/4"	1-3/8"	1-9/16"	1/2"
R3013 **	3-1/2"	1-1/2"	1-3/4"	1/2"

* Max. RPM 18,000
 ** Max. RPM 16,000

Replacement Parts

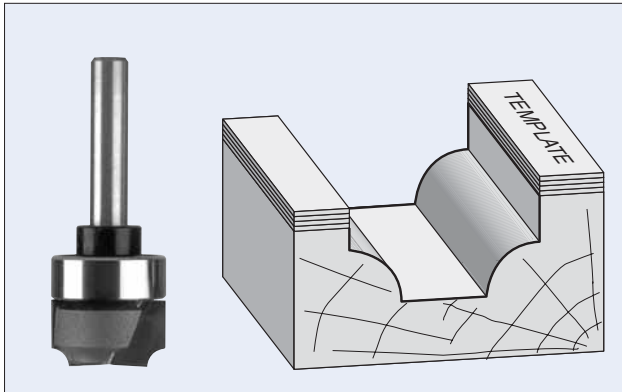
Ball Bearing B3
 Spring Washer WFS506

Washer WR58
 Screw WNC538

R3020
PLUNGING ROUNDING OVER BITS


PART NO.	LARGE DIAM.	RADIUS	SMALL DIAM.	CARBIDE HEIGHT	SHANK DIAM.
R3020-1	3/8"	1/8"	1/8"	5/16"	1/4"
R3020	5/8"	3/16"	1/4"	5/16"	1/2"
R3021	3/4"	1/4"	1/4"	1/2"	1/4"
R3022	3/4"	1/4"	1/4"	1/2"	1/2"
R3023	7/8"	5/16"	1/4"	9/16"	1/4"
R3024	7/8"	5/16"	1/4"	9/16"	1/2"
R3025	1"	3/8"	1/4"	5/8"	1/4"
R3026	1"	3/8"	1/4"	5/8"	1/2"
R3027	1-3/8"	1/2"	3/8"	1"	1/2"
R3028	1-3/4"	5/8"	1/2"	1-1/4"	1/2"
R3029	2"	3/4"	1/2"	1-7/16"	1/2"

R3030 CORNER ROUNDING BITS PLUNGE TYPE WITH CENTER BALL BEARING

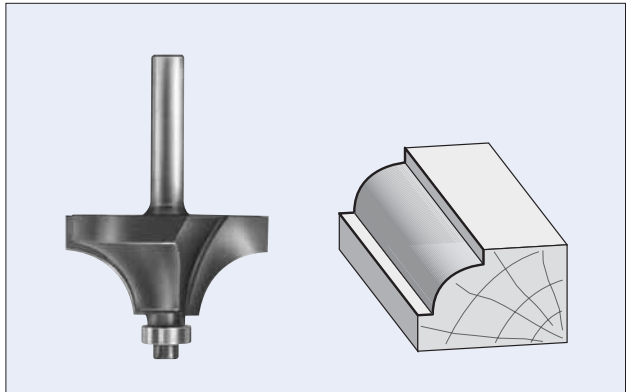


PART NO.	LARGE DIAM.	RADIUS	SMALL DIAM.	CARBIDE HEIGHT	SHANK DIAM.
R3030 (A)	1/2"	1/8"	1/4"	3/8"	1/4"
R3032 (B)	3/4"	1/8"	1/2"	3/8"	1/4"
R3034 (C)	7/8"	5/16"	1/2"	1/2"	1/4"
R3036 (D)	1-1/8"	5/16"	1/2"	9/16"	1/2"

Replacement Parts

(A) Ball Bearing B3-1	Lock ring W01	Screw WNC525
(B) Ball Bearing B4	Lock ring W01	Screw WNC525
(C) Ball Bearing B5	Lock ring W01	Screw WNC525
(D) Ball Bearing B6-4	Lock ring W03	Screw WNC518

R3100 BEADING BITS WITH BALL BEARING GUIDE



PART NO.	LARGE DIAM.	RADIUS	CARBIDE HEIGHT	SHANK DIAM.
R3100-1	5/8"	1/16"	5/16"	1/4"
R3100-2	3/4"	1/8"	3/8"	1/4"
R3100-3	3/4"	5/32"	3/8"	1/4"
R3100	7/8"	3/16"	1/2"	1/4"
R3101	1"	1/4"	1/2"	1/4"
R3102	1-1/8"	5/16"	1/2"	1/4"
R3103	1-1/4"	3/8"	5/8"	1/4"
R3104	1-1/2"	1/2"	3/4"	1/4"
R3105-1	5/8"	1/16"	5/16"	1/2"
R3105-2	3/4"	1/8"	3/8"	1/2"
R3105-3	3/4"	5/32"	3/8"	1/2"
R3105	7/8"	3/16"	1/2"	1/2"
R3106	1"	1/4"	1/2"	1/2"
R3107	1-1/8"	5/16"	1/2"	1/2"
R3108	1-1/4"	3/8"	5/8"	1/2"
R3109	1-1/2"	1/2"	3/4"	1/2"
R3109-1	1-3/4"	5/8"	7/8"	1/2"
R3110	2"	3/4"	1"	1/2"
R3111	2-1/4"	7/8"	1-1/4"	1/2"
R3112	2-1/2"	1"	1-1/4"	1/2"
R3112-1 *	2-3/4"	1-1/8"	1-3/8"	1/2"
R3113 *	3"	1-1/4"	1-1/2"	1/2"
R3113-1 **	3-1/4"	1-3/8"	1-9/16"	1/2"
R3114 **	3-1/2"	1-1/2"	1-3/4"	1/2"

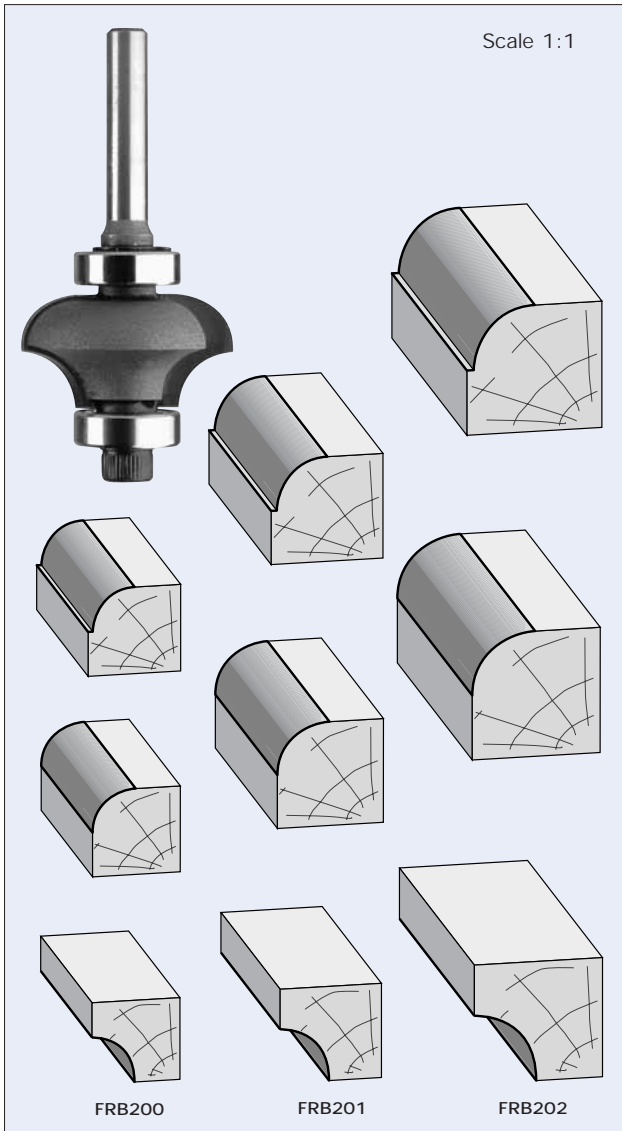
* Max. RPM 18,000

** Max. RPM 16,000

Replacement Parts

Ball Bearing B2	Spring Washer WFS506
Washer WFS500	Screw WNC538

FRB200 MATCHING CORNER ROUND/COVE BITS



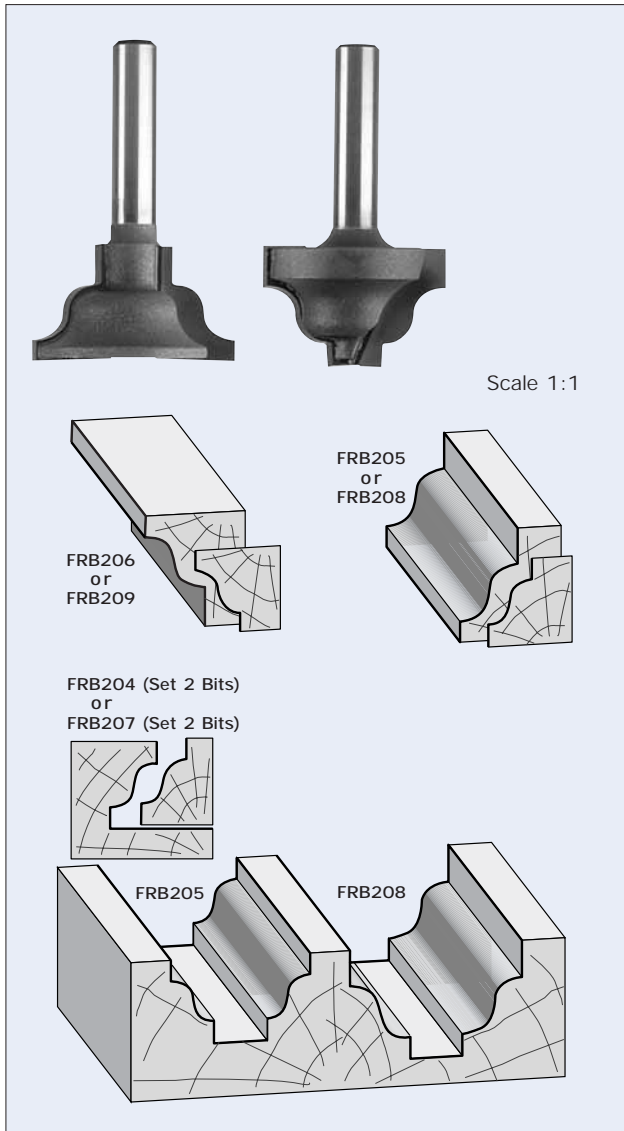
PART NO.	LARGE DIAM.	RADIUS	CUTTING LENGTH	SHANK DIAM.	OVERALL LENGTH
FRB200	1-1/8"	1/4"	35/64"	1/4"	2-19/32"
FRB201	1-1/4"	5/16"	43/64"	1/4"	2-23/32"
FRB202	1-3/8"	3/8"	51/64"	1/4"	2-27/32"

This unique router bit with two flutes and double ball bearing guides performs two machining cuts; rounding over and cove. To achieve beading cuts, use additional Ball Bearing part No. B3-1B

Replacement Parts

- Ball Bearing B3-4A
- External Circlip WCO1
- Screw WNF1012
- Washer WFS500

FRB204 STILE AND RAIL BITS, TWO PIECE SETS



PART NO.	CUTTING DIAM.	RADIUS	CUTTING LENGTH	SHANK DIAM.	OVERALL LENGTH
FRB204	Complete Set (2 bits)				
FRB205	13/16"	1/8"	1/2"	1/4"	1-5/8"
FRB206	1"	1/8"	1/2"	1/4"	1-5/8"
FRB207	Complete Set (2 bits)				
FRB208	1"	5/32"	21/32"	1/4"	1-25/32"
FRB209	1-1/8"	5/32"	21/32"	1/4"	1-25/32"