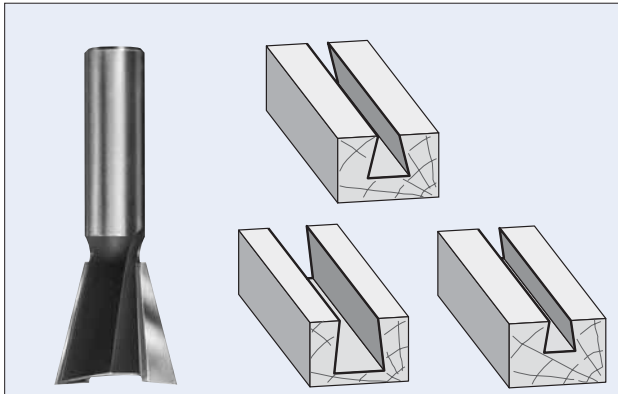


R2600 DOVETAIL BITS
TWO BLUTES

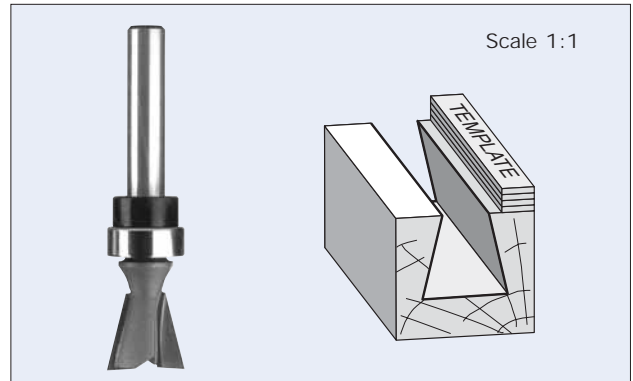


PART NO.	DEGREE EA. SIDE	LARGE DIAM.	DEPTH OF CUT	SHANK DIAM.	OVERALL LENGTH
R2600	9°	5/16"	3/8"	1/4"	2-1/2"
R2600-1	25°	13/64"	5/32"	1/4"	2-3/8"
R2600-2	7.5°	1/4"	5/16"	1/4"	2-1/2"
R2601	9°	3/8"	3/8"	1/4"	1-5/8"
R2602	14°	1/2"	1/2"	1/4"	1-3/4"
R2602-1	14°	17/32"	1/2"	1/4"	1-3/4"
R2603	9°	3/8"	3/8"	3/8"	2"
R2604	7°	1/2"	1/2"	3/8"	2"
R2604-1	9°	5/16"	3/8"	1/2"	2-1/2"
R2605	9°	3/8"	3/8"	1/2"	1-5/8"
R2606	14°	1/2"	1/2"	1/2"	2-3/16"
R2606-1	7°	5/8"	5/8"	1/2"	2-3/8"
R2607	7°	5/8"	7/8"	1/2"	2-1/16"
R2608	7°	3/4"	7/8"	1/2"	2-1/2"
R2608-1	14°	3/4"	3/4"	1/2"	2-1/2"
R2609	7°	7/8"	7/8"	1/2"	2-5/8"
R2609-1	14°	7/8"	7/8"	1/2"	2-5/8"
R2610	14°	1"	1"	1/2"	2-5/8"
R2610-1	7°	1-1/8"	3/4"	1/2"	2-3/8"
R2611	14°	1-1/4"	1"	1/2"	2-5/16"

LEFT HAND DOVETAIL BITS

PART NO.	DEGREE EA. SIDE	LARGE DIAM.	DEPTH OF CUT	SHANK DIAM.	OVERALL LENGTH
R2600L	9°	5/16"	3/8"	1/4"	2-1/2"
R2605L	9°	3/8"	3/8"	1/2"	1-5/8"
R2606L	14°	1/2"	1/2"	1/2"	2-1/4"
R2607L	7°	5/8"	7/8"	1/2"	2-1/16"
R2608L	7°	3/4"	7/8"	1/2"	2-1/2"
R2609L	7°	7/8"	7/8"	1/2"	2-5/8"
R2609-1L	14°	7/8"	7/8"	1/2"	2-5/8"
R2610L	14°	1"	1"	1/2"	2-5/8"

R2620 DOVETAIL BIT WITH
BEARING GUIDE
TWO FLUTES, 14 DEGREES

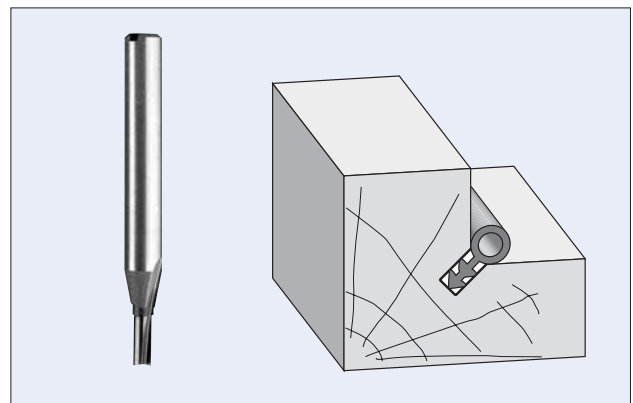


PART NO.	DEGREE EA. SIDE	CUTTING DIAM.	CUTTING DEPTH	SHANK DIAM.	OVERALL LENGTH
R2620	14°	1/2"	1/2"	1/4"	2-1/4"

Replacement Parts

Ball Bearing B3-1 Lock Ring W01 Screw WNC525

R2630 TEE/BUMPER MOULDING
GROOVING BITS TWO FLUTES



PART NO.	CUTTING DIAM.	CUTTING DEPTH	SHANK DIAM.	OVERALL LENGTH
R2630	1/8"	5/16"	1/4"	2-3/16"