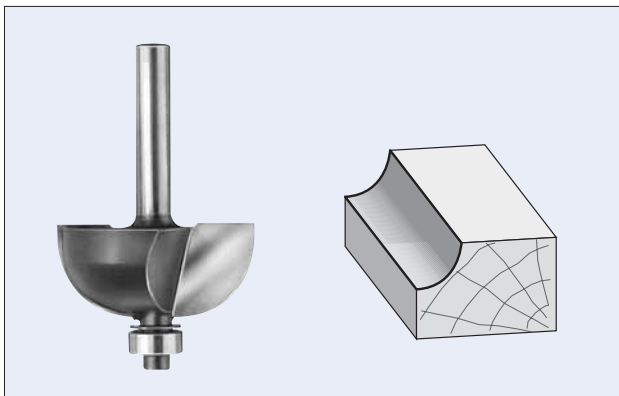


R2800 COVE BITS WITH BALL BEARING GUIDE



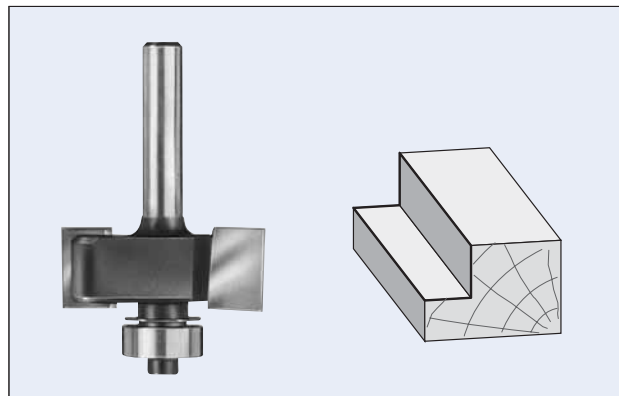
PART NO.	LARGE DIAM.	RADIUS	CARBIDE HEIGHT	SHANK DIAM.
R2800-1 (A)	1/2"	1/16"	1/2"	1/4"
R2800-2 (A)	1/2"	1/16"	1/2"	1/2"
R2800-3 (A)	5/8"	1/8"	1/2"	1/4"
R2800-4 (A)	5/8"	1/8"	1/2"	1/2"
R2800-A (A)	3/4"	3/16"	9/16"	1/4"
R2803-A (A)	3/4"	3/16"	9/16"	1/2"
R2800 (A)	7/8"	1/4"	9/16"	1/4"
R2803 (A)	7/8"	1/4"	9/16"	1/2"
R2803-1 (A)	1"	5/16"	9/16"	1/4"
R2803-2 (A)	1"	5/16"	9/16"	1/2"
R2801 (A)	1-1/8"	3/8"	9/16"	1/4"
R2804 (A)	1-1/8"	3/8"	9/16"	1/2"
R2802 (A)	1-3/8"	1/2"	3/4"	1/4"
R2805 (A)	1-3/8"	1/2"	3/4"	1/2"
R2806 (A)	1-5/8"	5/8"	3/4"	1/2"
R2807 (B)	1-7/8"	3/4"	1"	1/2"
R2808 (B)	2-3/8"	7/8"	1-1/4"	1/2"
R2809 (B)	2-3/8"	1"	1-1/4"	1/2"
R2810* (B)	3"	1-1/4"	1-1/2"	1/2"

*Max. RPM 18,000

Replacement Parts

- (A) Ball Bearing B1 Washer WR12
Spring Washer WFS504 Screw WNC338
- (B) Ball Bearing B3 Washer WR58
Spring Washer WFS506 Screw WNC538

R2900 RABBETING BITS WITH 1/2" DIAMETER BALL BEARING GUIDE



PART NO.	LARGE DIAM.	RABBET DEPTH	CARBIDE HEIGHT	SHANK DIAM.	OVERALL LENGTH
R2900	1-1/4"	3/8"	1/2"	1/4"	2"
R2901	1-1/4"	3/8"	1/2"	1/2"	2-3/8"
R2902	1-3/8"	7/16"	1/2"	1/4"	2"
R2903	1-3/8"	7/16"	1/2"	1/2"	2-3/8"

Replacement Parts

- Ball Bearing B3 Washer WR58
- Spring Washer WFS506 screw WNC538