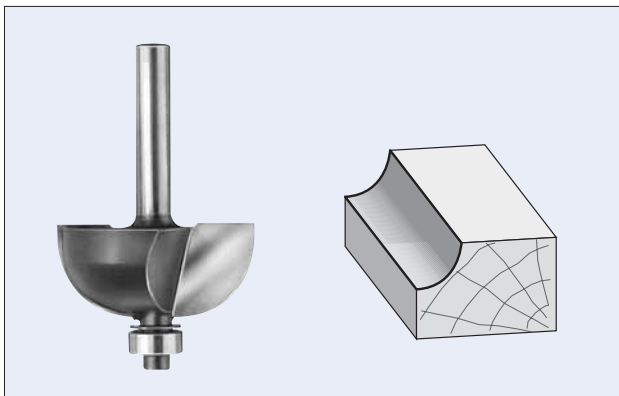


## R2800 COVE BITS WITH BALL BEARING GUIDE



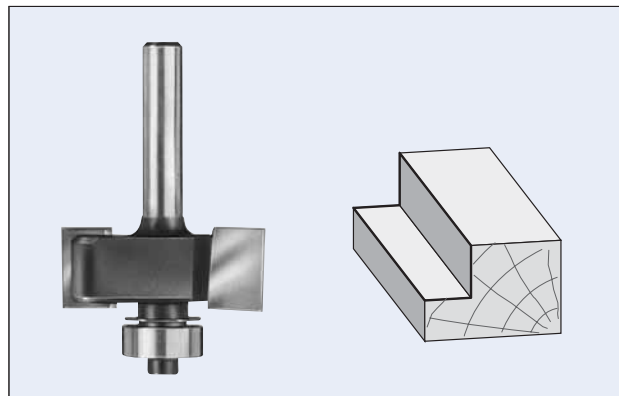
PART NO.	LARGE DIAM.	RADIUS	CARBIDE HEIGHT	SHANK DIAM.
R2800-1 (A)	1/2"	1/16"	1/2"	1/4"
R2800-2 (A)	1/2"	1/16"	1/2"	1/2"
R2800-3 (A)	5/8"	1/8"	1/2"	1/4"
R2800-4 (A)	5/8"	1/8"	1/2"	1/2"
R2800-A (A)	3/4"	3/16"	9/16"	1/4"
R2803-A (A)	3/4"	3/16"	9/16"	1/2"
R2800 (A)	7/8"	1/4"	9/16"	1/4"
R2803 (A)	7/8"	1/4"	9/16"	1/2"
R2803-1 (A)	1"	5/16"	9/16"	1/4"
R2803-2 (A)	1"	5/16"	9/16"	1/2"
R2801 (A)	1-1/8"	3/8"	9/16"	1/4"
R2804 (A)	1-1/8"	3/8"	9/16"	1/2"
R2802 (A)	1-3/8"	1/2"	3/4"	1/4"
R2805 (A)	1-3/8"	1/2"	3/4"	1/2"
R2806 (A)	1-5/8"	5/8"	3/4"	1/2"
R2807 (B)	1-7/8"	3/4"	1"	1/2"
R2808 (B)	2-3/8"	7/8"	1-1/4"	1/2"
R2809 (B)	2-3/8"	1"	1-1/4"	1/2"
R2810* (B)	3"	1-1/4"	1-1/2"	1/2"

\*Max. RPM 18,000

### Replacement Parts

- (A) Ball Bearing B1      Washer WR12  
 Spring Washer WFS504      Screw WNC338
- (B) Ball Bearing B3      Washer WR58  
 Spring Washer WFS506      Screw WNC538

## R2900 RABBETING BITS WITH 1/2" DIAMETER BALL BEARING GUIDE

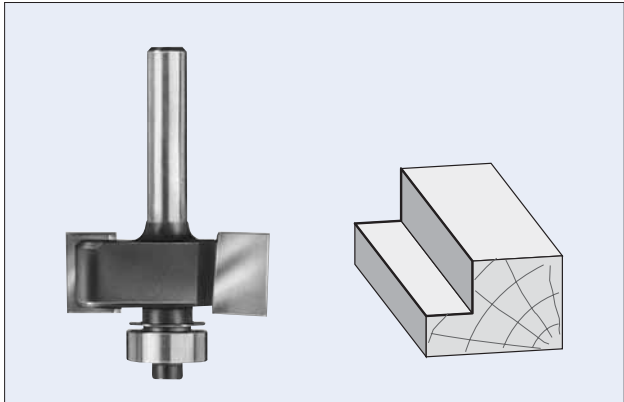


PART NO.	LARGE DIAM.	RABBET DEPTH	CARBIDE HEIGHT	SHANK DIAM.	OVERALL LENGTH
R2900	1-1/4"	3/8"	1/2"	1/4"	2"
R2901	1-1/4"	3/8"	1/2"	1/2"	2-3/8"
R2902	1-3/8"	7/16"	1/2"	1/4"	2"
R2903	1-3/8"	7/16"	1/2"	1/2"	2-3/8"

### Replacement Parts

- Ball Bearing B3      Washer WR58  
 Spring Washer WFS506      screw WNC538

**R2905 RABBETING BITS WITH 3/8" DIAMETER BALL BEARING GUIDE**

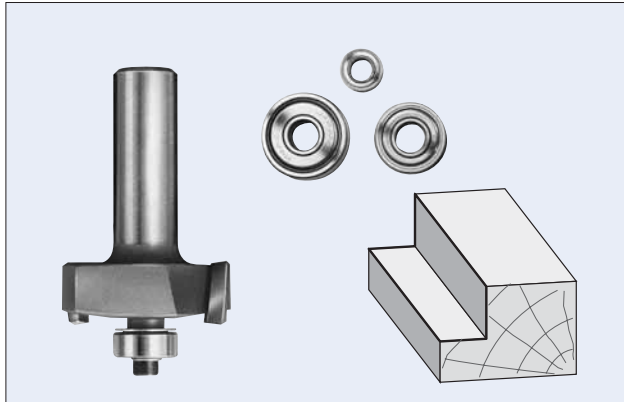


PART NO.	LARGE DIAM.	RABBET DEPTH	CARBIDE HEIGHT	SHANK DIAM.	OVERALL LENGTH
R2905	1-1/4"	7/16"	1/2"	1/4"	2"
R2906	1-1/4"	7/16"	1/2"	1/2"	2-3/8"
R2907	1-3/8"	1/2"	1/2"	1/4"	2"
R2908	1-3/8"	1/2"	1/2"	1/2"	2-3/8"

**Replacement Parts**

Ball Bearing B2                      Washer WFS500  
 Spring Washer WFS506          Screw WNC538

**R2950 RABBETING BITS WITH 4 BALL BEARINGS FOR 4 DIFFERENT RABBET DEPTHS**



PART NO.	CUTTING DIAM.	CARBIDE HEIGHT	SHANK DIAM.	OVERALL LENGTH
R2950 (complete set)	1-3/8"	1/2"	1/4"	2"
R2951 (complete set)	1-3/8"	1/2"	1/2"	2-3/8"

**TYPICAL ASSEMBLY**

**1/2" RABBET DEPTH**

PART NO.	DESCRIPTION
WFS500	Flat Washer 5/16" - 3/16"
B2	Ball Bearing 3/8" - 3/16"
WFS506	Spring Washer 1/4" - 1/8"
WNC512	Screw NC5 - 1/2"

**7/16" RABBET DEPTH**

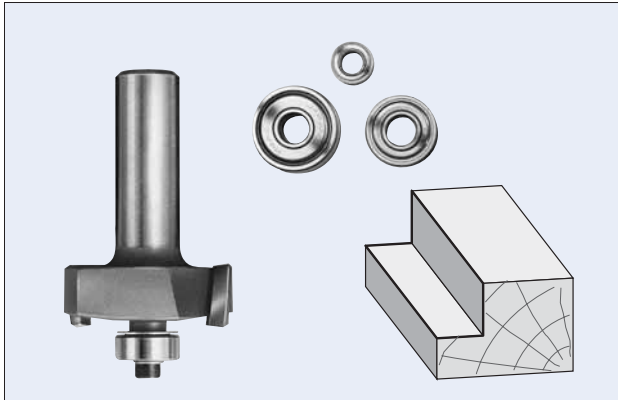
PART NO.	DESCRIPTION
WR58	Raised Washer 1/2" - 3/16"
B3	Ball Bearing 1/2" - 3/16"
WFS506	Spring Washer 1/4" - 1/8"
WNC512	Screw NC5 - 1/2"

**3/8" RABBET DEPTH**

PART NO.	DESCRIPTION
WR59	Raised Washer 16mm - 5mm
B3-2	Ball Bearing 5/8" - 3/16"
WFS506	Spring Washer 1/4" - 1/8"
WNC512	Screw NC5 - 1/2"

**5/16" RABBET DEPTH**

PART NO.	DESCRIPTION
WR59	Raised Washer 16mm - 5mm
B3-5	Ball Bearing 3/4" - 3/16"
WFS506	Spring Washer 1/4" - 1/8"
WNC512	Screw NC5 - 1/2"

**R2960****RABBETING BITS  
WITH 7 BALL BEARINGS FOR  
7 DIFFERENT RABBET DEPTHS**

PART NO.	CUTTING DIAM.	CUTTING EDGE	SHANK DIAM.	OVERALL LENGTH
R2960 (complete set)	1-3/8"	1/2"	1/4"	2"
R2961 (complete set)	1-3/8"	1/2"	1/2"	2-3/8"

**TYPICAL ASSEMBLY****1/2" RABBET DEPTH**

PART NO.	DESCRIPTION
WFS500	Flat Washer 5/16" - 3/16"
B2	Ball Bearing 3/8" - 3/16"
WFS506	Spring Washer 1/4" - 1/8"
WNC512	Screw NC5 - 1/2"

**7/16" RABBET DEPTH**

PART NO.	DESCRIPTION
WR58	Raised Washer 1/2" - 3/16"
B3	Ball Bearing 1/2" - 3/16"
WFS506	Flat Washer 5/16" - 1/8"
WNC512	Screw NC5 - 1/2"

**3/8" RABBET DEPTH**

PART NO.	DESCRIPTION
WR59	Raised Washer 16mm - 5mm
B3-2	Ball Bearing 5/8" - 3/16"
WFS506	Spring Washer 1/4" - 1/8"
WNC512	Screw NC5 - 1/2"

**5/16" RABBET DEPTH**

PART NO.	DESCRIPTION
WR59	Raised Washer 16mm - 5mm
B3-5	Ball Bearing 3/4" - 3/16"
WFS506	Spring Washer 1/4" - 1/8"
WNC512	Screw NC5 - 1/2"

Typical assembly cont'd...

**R2960****TYPICAL  
ASSEMBLY Cont'd...****1/4" RABBET DEPTH**

PART NO.	DESCRIPTION
WR59	Raised Washer 16mm - 5mm
B6	Ball Bearing 7/8" - 3/16"
WFS506	Spring Washer 1/4" - 1/8"
WNC512	Screw NC5 - 1/2"

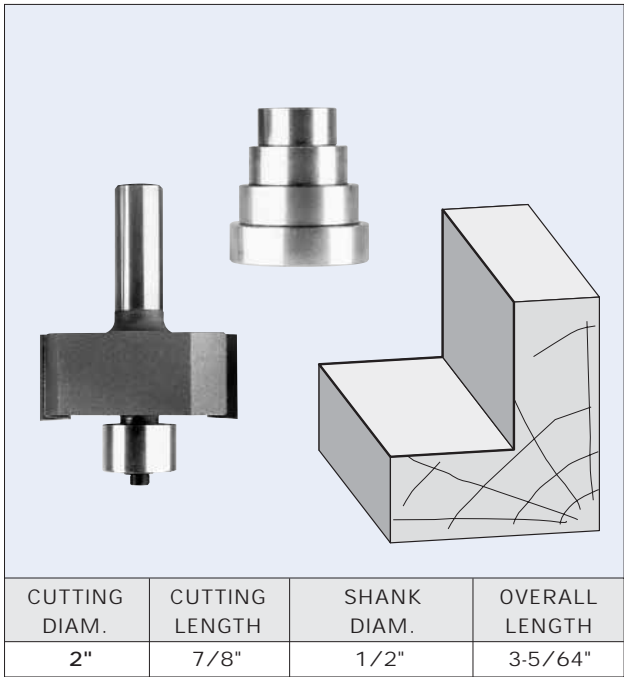
**1/8" RABBET DEPTH**

PART NO.	DESCRIPTION
WR59	Raised Washer 16mm - 5mm
B6-2	Ball Bearing 1-1/8" - 3/16"
WFS506	Spring Washer 1/4" - 1/8"
WNC512	Screw NC5 - 1/2"

**FLUSH**

PART NO.	DESCRIPTION
WR59	Raised Washer 16mm - 5mm
B8	Ball Bearing 1-3/8" - 3/16"
WFS506	Spring Washer 1/4" - 1/8"
WNC512	Screw NC5 - 1/2"

**R2970 MULTI RABBETING ROUTER SETS  
TWO FLUTES**



PART NO.	DESCRIPTION/DEPTH OF RABBET
R2970	<b>6 piece rabbeting set</b> 1/8", 1/4", 3/8", 1/2", 5/8", 3/4"
R2971	<b>12 piece rabbeting set</b> 1/16", 1/8", 3/16", 1/4", 5/16", 3/8", 7/16", 1/2", 9/16", 5/8", 11/16", 3/4"
R2972	<b>17 piece rabbeting set</b> 1/16", 1/8", 3/16", 15/64", 1/4", 5/16", 23/64", 3/8", 7/16", 15/32", 1/2", 9/16", 19/32", 5/8", 11/16", 23/32", 3/4"

This multi rabbeting set produces rabbet cuts from 1/16" through to 3/4", in 1/16" increments, plus five precision rabbets in 1/64" and 1/32" increments.

**R2970 REPLACEMENT PARTS**

PART NO.	DESCRIPTION/DEPTH OF RABBET
R2973	Rabbeting bit with two 1/2" bearing
B3-1	Ball Bearing
WFS506	Washer
WRS220	Spacer 2.2mm
WNC512	Screw
WRC476	Collar 47.6mm Diam. 1/16" rabbet depth
WRC444	Collar 44.4mm Diam. 1/8" rabbet depth
WRC413	Collar 41.3mm Diam. 3/16" rabbet depth
WRC399	Collar 39.9mm Diam. 15/64" rabbet depth
WRC381	Collar 38.1mm Diam. 1/4" rabbet depth
WRC349	Collar 34.9mm Diam. 5/16" rabbet depth
WRC325	Collar 32.5mm Diam. 23/64" rabbet depth
WRC317	Collar 31.7mm Diam. 3/8" rabbet depth
WRC286	Collar 28.6mm Diam. 7/16" rabbet depth
WRC270	Collar 27.0mm Diam. 15/32" rabbet depth
WRC254	Collar 25.4mm Diam. 1/2" rabbet depth
WRC222	Collar 22.2mm Diam. 9/16" rabbet depth
WRC206	Collar 20.6mm Diam. 19/32" rabbet depth
WRC190	Collar 19.0mm Diam. 5/8" rabbet depth
WRC159	Collar 15.9mm Diam. 11/16" rabbet depth
WRC143	Collar 14.3mm Diam. 23/32" rabbet depth
B3-1	Bearing 1/2" Diam. 3/4" rabbet depth