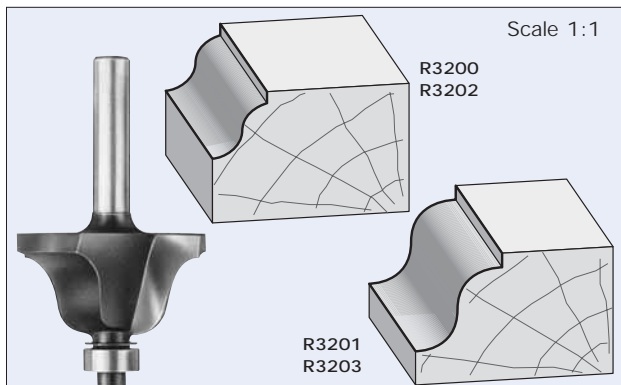


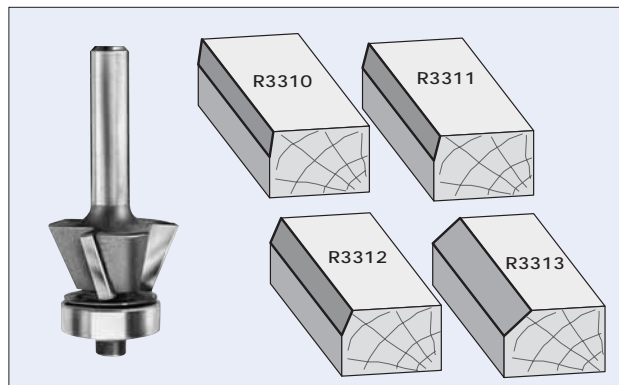
R3200 ROMAN OGEE BITS WITH BALL BEARING GUIDE



PART NO.	LARGE DIAM.	RADIUS	CARBIDE HEIGHT	SHANK DIAM.
R3200	1"	5/32"	5/8"	1/4"
R3201	1-3/8"	1/4"	3/4"	1/4"
R3202	1"	5/32"	5/8"	1/2"
R3203	1-3/8"	1/4"	3/4"	1/2"

Replacement Parts Ball Bearing B1
Spring Washer WFS504 Washer WR12 Screw WNC338

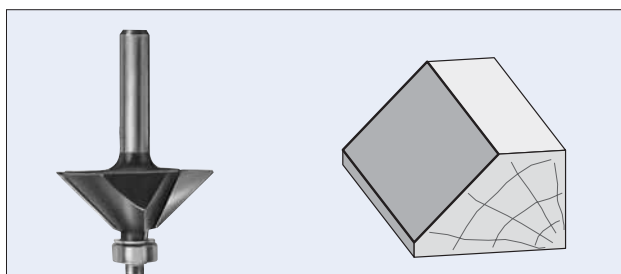
R3310 BEVEL TRIM BITS WITH BALL BEARING GUIDE THREE FLUTES



PART NO.	CUTTING DIAM.	DEGREE BEVEL	CARBIDE HEIGHT	SHANK DIAM.	OVERALL LENGTH
R3310	3/4"	10°	3/8"	1/4"	1-7/8"
R3311	13/16"	15°	3/8"	1/4"	1-7/8"
R3312	15/16"	25°	3/8"	1/4"	1-7/8"
R3313	1-7/16"	45°	3/8"	1/4"	1-7/8"

Replacement Parts Ball Bearing B3-4
Spring Washer WFS506 Washer WR59 Screw WNC538

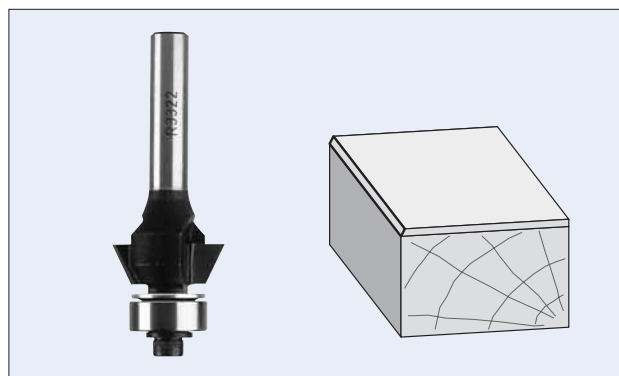
R3300 CHAMFER BITS WITH BALL BEARING GUIDE



PART NO.	CUTTING DIAM.	DEGREE BEVEL	CARBIDE HEIGHT	SHANK DIAM.	OVERALL LENGTH
R3300 (A)	1/2"	15°	1/4"	1/4"	1-3/4"
R3300-1 (A)	17/32"	15°	1/2"	1/4"	2-1/16"
R3301 (A)	27/32"	25°	1/2"	1/4"	2"
R3302 (B)	1-1/2"	45°	1/2"	1/4"	2-1/8"
R3302-1 (C)	1-1/4"	45°	1/2"	1/4"	2"
R3303 (B)	3/4"	15°	1/2"	1/2"	2-3/8"
R3304 (B)	1"	25°	1/2"	1/2"	2-3/8"
R3304-1 (C)	1-1/4"	45°	1/2"	1/2"	2-3/8"
R3305 (B)	1-1/2"	45°	1/2"	1/2"	2-3/8"
R3305-1 (B)	2"	45°	3/4"	1/2"	2-5/8"
R3306 (B)	2-1/2"	45°	1"	1/2"	2-13/16"
R3307* (B)	3-1/64"	45°	1-1/4"	1/2"	3-1/8"

Replacement Parts * Max. RPM 18,000
(A) Ball bearing B2 (B) Ball bearing B3 (C) Ball bearing B1
Washer WFS500 Washer WR58 Washer WR58
Spr. Wshr. WFS506 Spr. Wshr. WFS506 Spr. Wshr. WFS506
Screw WNC 538 Screw WNC538 Screw WNC538

R3320 BEVEL TRIM BITS WITH BALL BEARING GUIDE TWO FLUTES



PART NO.	CUTTING DIAM.	DEGREE BEVEL	CARBIDE HEIGHT	SHANK DIAM.	OVERALL LENGTH
R3320 (B)	1/2"	0°	1/4"	1/4"	2-1/8"
R3321 (B)	5/8"	15°	1/4"	1/4"	2-1/8"
R3322 (B)	3/4"	25°	1/4"	1/4"	2-1/8"
R3323 (B)	1"	45°	1/4"	1/4"	2-1/8"
R3324 (A)	1"	15°	3/8"	1/4"	2"
R3325 (C)	5/8"	15°	1/2"	1/4"	2"

Replacement Parts
(A) Ball Bearing B4 Spring Washer WFS508 Screw WNF1012
(B) Ball Bearing B3 Spring Washer WFS506
Washer WR58 Screw WNC538
(C) Ball Bearing B1 Spring Washer WFS504
Washer WR12 Screw WNC338