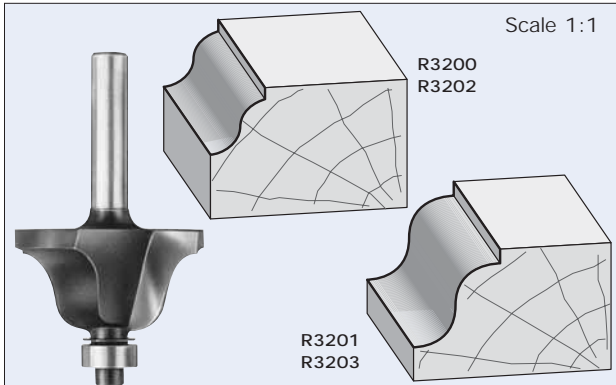


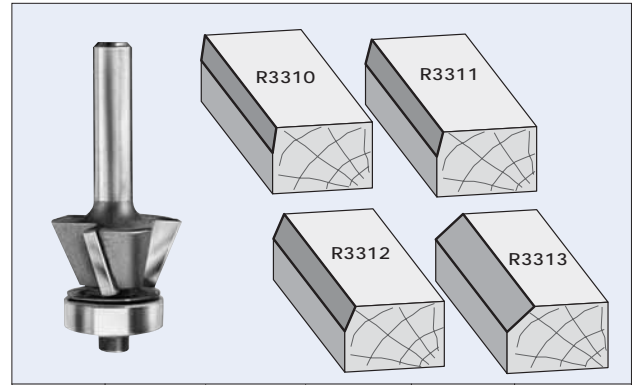
R3200 ROMAN OGEE BITS WITH BALL BEARING GUIDE



PART NO.	LARGE DIAM.	RADIUS	CARBIDE HEIGHT	SHANK DIAM.
R3200	1"	5/32"	5/8"	1/4"
R3201	1-3/8"	1/4"	3/4"	1/4"
R3202	1"	5/32"	5/8"	1/2"
R3203	1-3/8"	1/4"	3/4"	1/2"

Replacement Parts Ball Bearing B1
Spring Washer WFS504 Washer WR12 Screw WNC338

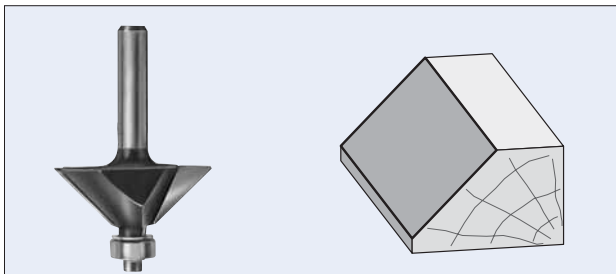
R3310 BEVEL TRIM BITS WITH BALL BEARING GUIDE THREE FLUTES



PART NO.	CUTTING DIAM.	DEGREE BEVEL	CARBIDE HEIGHT	SHANK DIAM.	OVERALL LENGTH
R3310	3/4"	10°	3/8"	1/4"	1-7/8"
R3311	13/16"	15°	3/8"	1/4"	1-7/8"
R3312	15/16"	25°	3/8"	1/4"	1-7/8"
R3313	1-7/16"	45°	3/8"	1/4"	1-7/8"

Replacement Parts Ball Bearing B3-4
Spring Washer WFS506 Washer WR59 Screw WNC538

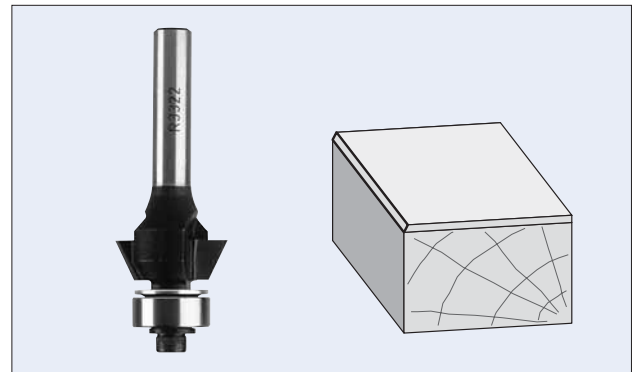
R3300 CHAMFER BITS WITH BALL BEARING GUIDE



PART NO.	CUTTING DIAM.	DEGREE BEVEL	CARBIDE HEIGHT	SHANK DIAM.	OVERALL LENGTH
R3300 (A)	1/2"	15°	1/4"	1/4"	1-3/4"
R3300-1 (A)	17/32"	15°	1/2"	1/4"	2-1/16"
R3301 (A)	27/32"	25°	1/2"	1/4"	2"
R3302 (B)	1-1/2"	45°	1/2"	1/4"	2-1/8"
R3302-1 (C)	1-1/4"	45°	1/2"	1/4"	2"
R3303 (B)	3/4"	15°	1/2"	1/2"	2-3/8"
R3304 (B)	1"	25°	1/2"	1/2"	2-3/8"
R3304-1 (C)	1-1/4"	45°	1/2"	1/2"	2-3/8"
R3305 (B)	1-1/2"	45°	1/2"	1/2"	2-3/8"
R3305-1 (B)	2"	45°	3/4"	1/2"	2-5/8"
R3306 (B)	2-1/2"	45°	1"	1/2"	2-13/16"
R3307* (B)	3-1/64"	45°	1-1/4"	1/2"	3-1/8"

Replacement Parts * Max. RPM 18,000
(A) Ball bearing B2 (B) Ball bearing B3 (C) Ball bearing B1
Washer WFS500 Washer WR58 Washer WR58
Spr. Wshr. WFS506 Spr. Wshr. WFS506 Spr. Wshr. WFS506
Screw WNC 538 Screw WNC538 Screw WNC538

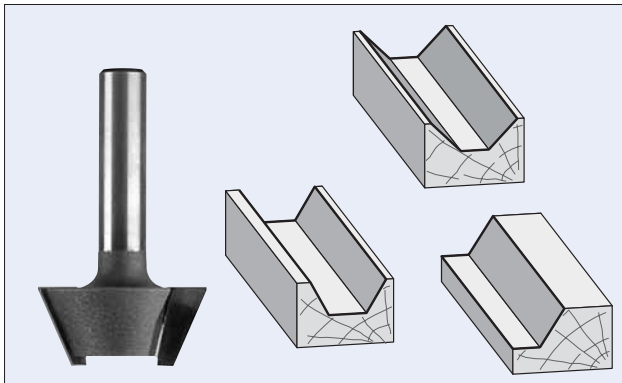
R3320 BEVEL TRIM BITS WITH BALL BEARING GUIDE TWO FLUTES



PART NO.	CUTTING DIAM.	DEGREE BEVEL	CARBIDE HEIGHT	SHANK DIAM.	OVERALL LENGTH
R3320 (B)	1/2"	0°	1/4"	1/4"	2-1/8"
R3321 (B)	5/8"	15°	1/4"	1/4"	2-1/8"
R3322 (B)	3/4"	25°	1/4"	1/4"	2-1/8"
R3323 (B)	1"	45°	1/4"	1/4"	2-1/8"
R3324 (A)	1"	15°	3/8"	1/4"	2"
R3325 (C)	5/8"	15°	1/2"	1/4"	2"

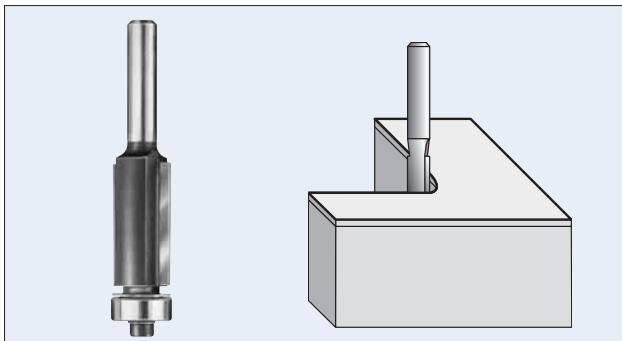
Replacement Parts
(A) Ball Bearing B4 Spring Washer WFS508 Screw WNF1012
(B) Ball Bearing B3 Spring Washer WFS506
Washer WR58 Screw WNC538
(C) Ball Bearing B1 Spring Washer WFS504
Washer WR12 Screw WNC338

**R3330 BEVEL BITS
PLUNGE TYPE TWO FLUTES**



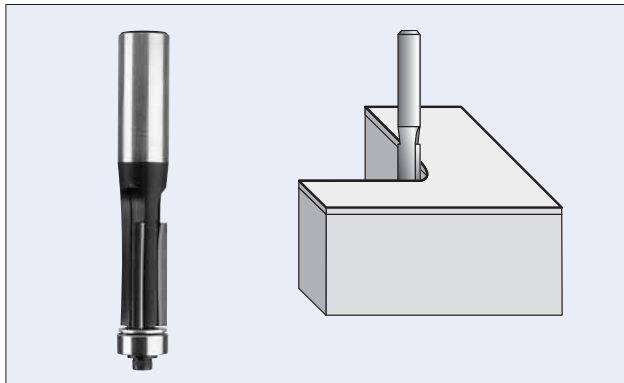
PART NO.	CUTTING DIAM.	CARBIDE HEIGHT	SHANK DIAM.	DEGREE BEVEL	OVERALL LENGTH
R3330-1	9/16"	5/8"	1/4"	10°	1-3/4"
R3330-2	1/2"	1/2"	1/4"	15°	2"
R3330	7/8"	3/8"	1/4"	23°	1-5/8"
R3331	1"	3/8"	1/4"	30°	1-5/8"
R3332	1-3/8"	3/8"	1/4"	45°	1-5/8"

R3400 BALL BEARING FLUSH TRIMMING BITS TWO FLUTES



PART NO.	CUTTING DIAM.	CUTTING LENGTH	SHANK DIAM.	OVERALL LENGTH
R3400-1 (E)	1/4"	1/2"	1/4"	2"
R3400-2 (E)	1/4"	1"	1/4"	2-1/2"
R3400 (A)	3/8"	1"	1/4"	2-5/8"
R3401 (A)	3/8"	1/2"	1/4"	2-1/4"
R3402 (B)	1/2"	1"	1/4"	2-5/8"
R3403 (B)	1/2"	1/2"	1/4"	2-1/4"
R3403-1 (C)	5/8"	5/8"	1/4"	2-1/4"
R3404 (B)	1/2"	1"	3/8"	2-3/4"
R3404-1 (B)	1/2"	1/2"	1/2"	2-3/4"
R3405 (B)	1/2"	1"	1/2"	3-1/4"
R3407 (B)	1/2"	1-1/2"	1/2"	3-7/8"
R3408 (B)	1/2"	2"	1/2"	4-1/4"
R3409 (F)	3/4"	1"	1/2"	3"

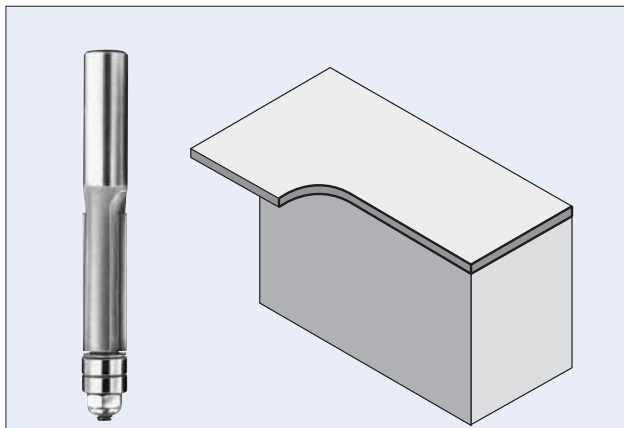
R3500 BALL BEARING FLUSH TRIMMING BITS THREE FLUTES



PART NO.	CUTTING DIAM.	CUTTING LENGTH	SHANK DIAM.	OVERALL LENGTH
R3500 (B)	1/2"	1"	1/4"	2-5/8"
R3501 (B)	1/2"	1/2"	1/4"	2-1/4"
R3501-1 (D)	7/8"	1/2"	1/4"	2-1/4"
R3502 (B)	1/2"	1"	1/2"	3-1/4"
R3503 (B)	1/2"	1/2"	1/2"	2-3/4"
R3504 (B)	1/2"	1-1/2"	1/2"	3-7/8"

Replacement Parts for R3400 to R3504
 (A) Ball Bearing B2 (C) Ball Bearing B3-4 (E) Ball Bearing B01
 (B) Ball Bearing B3 (D) Ball Bearing B4-1 (F) Ball Bearing B4

R3510 FLUSH TRIM BITS WITH DOUBLE BALL BEARING GUIDE TWO FLUTES



PART NO.	CUTTING DIAM.	CUTTING LENGTH	SHANK DIAM.	OVERALL LENGTH	NO. OF FLUTES
R3510	1/2"	1-1/2"	1/2"	4-1/16"	2
R3511	1/2"	2"	1/2"	4-1/2"	2
R3512	1/2"	1-1/2"	1/2"	4-1/16"	3

Replacement Parts
 Ball Bearing B3 Washer WR58
 Nut WN1024 Spring Washer WFS508