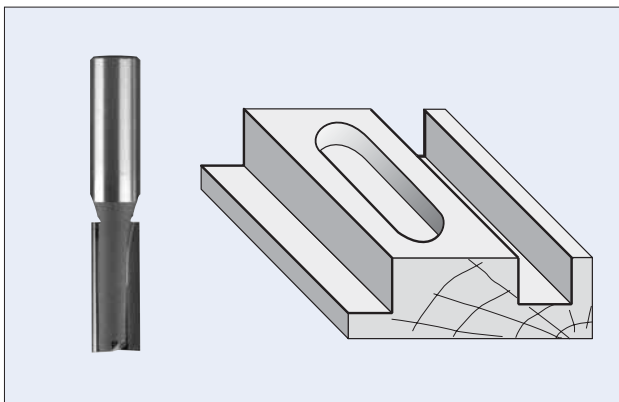


**R2240** PLUNGE POINT BITS  
1/2" SHANK TWO FLUTES



PART NO.	CUTTING DIAM.	CUTTING LENGTH	SHANK LENGTH	OVERALL LENGTH
R2240	5/16"	3/4"	1-3/8"	2-1/2"
R2241	3/8"	1-1/4"	1-1/2"	3"
R2242	7/16"	1"	1-1/4"	2-3/4"
R2243	1/2"	1"	1-3/8"	2-5/8"
R2244	1/2"	1-1/4"	1-3/8"	2-7/8"
R2245	1/2"	1-1/2"	1-3/8"	3-1/8"
R2246	1/2"	2"	1-7/8"	4-1/4"
R2247	5/8"	1-1/4"	1-3/8"	2-7/8"
R2248	5/8"	2"	1-7/8"	3-3/4"
R2249	3/4"	1"	1-3/8"	2-5/8"
R2250	7/8"	1-1/4"	1-3/8"	2-7/8"
R2251	1"	1"	1-3/8"	2-5/8"
R2252	1-5/8"	1"	1-3/8"	2-5/8"
R2253	1-3/4"	1-1/4"	1-3/8"	2-7/8"
R2254	1-7/8"	1-1/4"	1-3/8"	2-7/8"

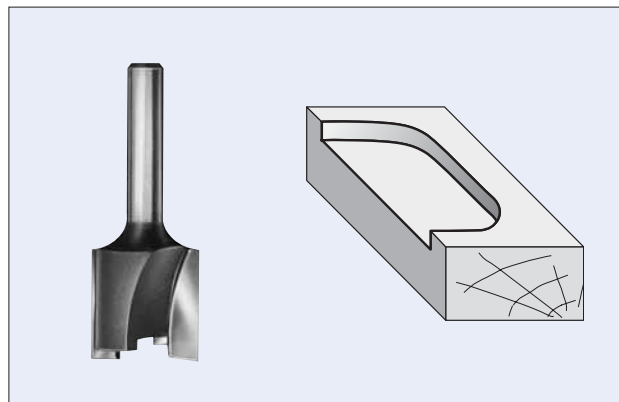
**AR15MB** THREADED ARBOR  
FOR MORTISING BITS



PART NO.	SHANK DIAM.	TYPE OF THREAD	OVERALL LENGTH
AR12MB	1/2"	1/4-28	2-3/8"
AR14MB	1/4"	1/4-28	1-3/4"

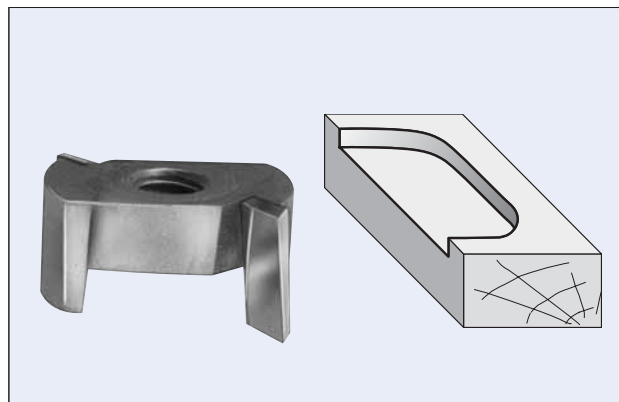
Fits R2310 to R2314 mortising bits, screw type.

**R2300** MORTISING BITS  
TWO FLUTES



PART NO.	CUTTING DIAM.	CUTTING LENGTH	SHANK DIAM.	SHANK LENGTH	OVERALL LENGTH
R2300	1/2"	3/4"	1/4"	1-1/4"	2"
R2301	5/8"	3/4"	1/4"	1-1/4"	2"
R2302	3/4"	3/4"	1/4"	1-1/4"	2"
R2303	1"	3/4"	1/4"	1-1/8"	2"
R2304	1-1/4"	1/2"	1/4"	1-1/4"	1-3/4"
R2305	1-1/4"	1-1/4"	1/2"	1-1/4"	2-7/8"

**R2310** MORTISING BITS  
SCREW TYPE TWO FLUTES



PART NO.	CUTTING DIAM.	THREADED HOLE	CUTTING LENGTH
R2310	3/4"	1/4-28 Thread	1/2"
R2311	7/8"	1/4-28 Thread	1/2"
R2312	1"	1/4-28 Thread	1/2"
R2313	1-1/8"	1/4-28 Thread	9/16"
R2314	1-1/4"	1/4-28 Thread	5/8"