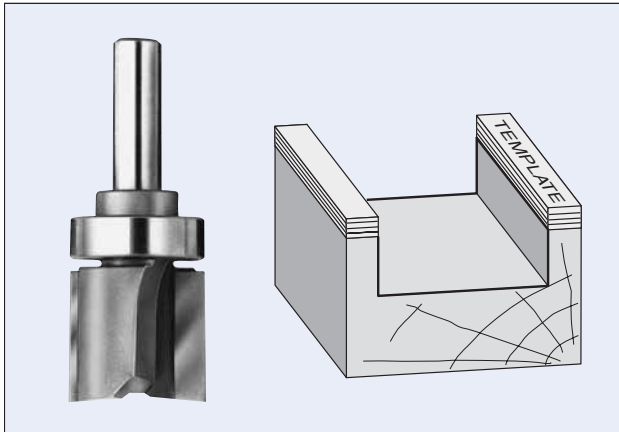


## R2320 STRAIGHT PLUNGE BITS WITH CENTRE BALL BEARING GUIDE TWO FLUTES

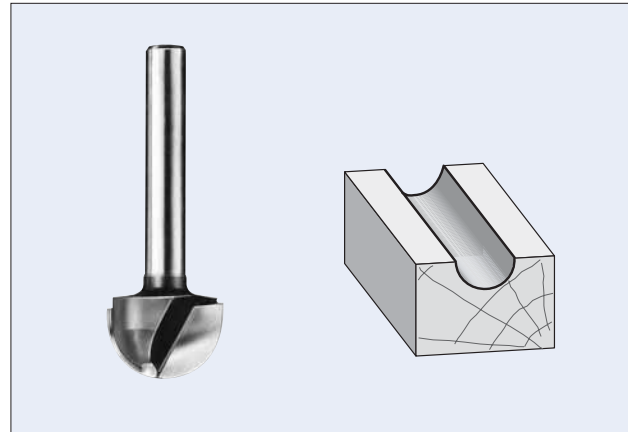


PART NO.	CUTTING DIAM.	CUTTING LENGTH	SHANK DIAM.	OVERALL LENGTH
R2320 (A)	1/2"	1"	1/4"	2-1/2"
R2320-1(A)	1/2"	1-1/4"	1/4"	2-3/4"
R2321 (B)	5/8"	1"	1/4"	2-1/2"
R2322 (C)	3/4"	1"	1/4"	2-1/2"
R2322-1(E)	3/4"	1"	1/2"	3"
R2322-2(E)	3/4"	2"	1/2"	3-5/8"
R2323 (D)	1"	1"	3/8"	2-3/4"
R2324 (I)	1"	1-3/4"	1/2"	3-3/4"
R2325 (F)	1-1/8"	1-1/2"	1/2"	3-5/8"
R2326 (G)	1-1/4"	1-3/4"	1/2"	3-1/4"
R2327 (H)	1-1/2"	1-3/4"	1/2"	3-1/4"

### Replacement Parts

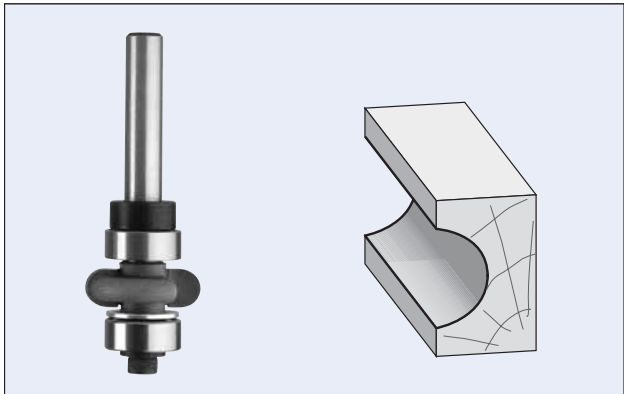
- (A) Ball Bearing B3-1; Lock Ring W01; Screw WNC525
- (B) Ball Bearing B3-3; Lock Ring W01; Screw WNC525
- (C) Ball Bearing B4; Lock Ring W01; Screw WNC525
- (D) Ball Bearing B6-1; Lock Ring W02; Screw WNC525
- (E) Ball Bearing B4-1A; Lock Ring W04; Screw WNC518
- (F) Ball Bearing B6-4; Lock Ring W03; Screw WNC518
- (G) Ball Bearing B6-5; Lock Ring W03; Screw WNC518
- (H) Ball Bearing B10; Lock Ring W03; Screw WNC518
- (I) Ball Bearing B6-1A; Lock Ring W04; Screw WNC518

## R2400 ROUND NOSE BITS SHALLOW PROFILE



PART NO.	CUTTING DIAM.	RADIUS	CUTTING LENGTH	SHANK DIAM.	OVERALL LENGTH
R2400	1/8"	1/16"	3/8"	1/4"	1-3/4"
R2401	3/16"	3/32"	1/2"	1/4"	1-3/4"
R2402	1/4"	1/8"	1/2"	1/4"	1-3/4"
R2402-1	5/16"	5/32"	1/2"	1/4"	1-1/2"
R2403	3/8"	3/16"	1/4"	1/4"	1-1/2"
R2403-1	3/8"	3/16"	1/4"	1/2"	1-7/8"
R2403-2	7/16"	7/32"	5/8"	1/4"	1-3/4"
R2403-3	7/16"	7/32"	5/8"	1/2"	2-3/8"
R2404	1/2"	1/4"	5/16"	1/4"	1-1/2"
R2404-1	1/2"	1/4"	5/16"	1/2"	2"
R2405	5/8"	5/16"	3/8"	1/4"	1-1/2"
R2405-1	5/8"	5/16"	3/8"	1/2"	2"
R2406	3/4"	3/8"	1/2"	1/4"	1-1/2"
R2406-1	3/4"	3/8"	1/2"	1/2"	2"
R2406-2	7/8"	7/16"	5/8"	1/4"	1-3/4"
R2406-3	7/8"	7/16"	5/8"	1/2"	2"
R2406-4	1"	1/2"	5/8"	1/4"	1-3/4"
R2406-5	1"	1/2"	5/8"	1/2"	2-3/16"
R2406-6	1-1/4"	5/8"	3/4"	1/2"	2-3/16"

## R2436 CONVEX BEADING BITS WITH TWO BALL BEARINGS

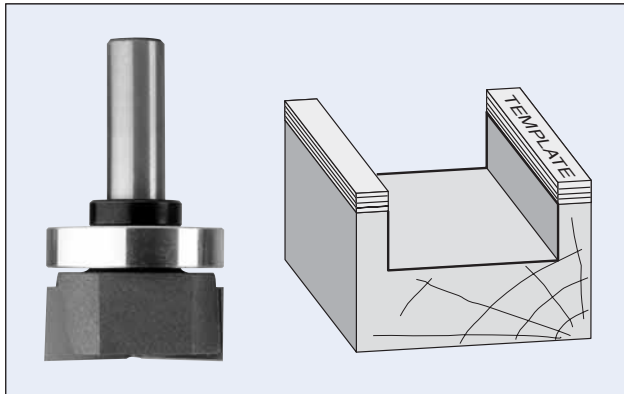


PART NO.	CUTTING DIAM.	RADIUS	CUTTING LENGTH	SHANK DIAM.	OVERALL LENGTH
R2436	3/4"	1/8"	1/4"	1/4"	2-1/4"
R2437	7/8"	13/64"	25/64"	1/4"	2-3/8"

### Replacement Parts

Lock Ring W01                      Centre Ball Bearing B3-1  
 Washer WR58                      Lower Ball Bearing B3  
 Spring Washer WFS506        Screw for Bearing WNC538

## R2450 BOTTOM CLEANING BITS WITH UPPER BALL BEARING

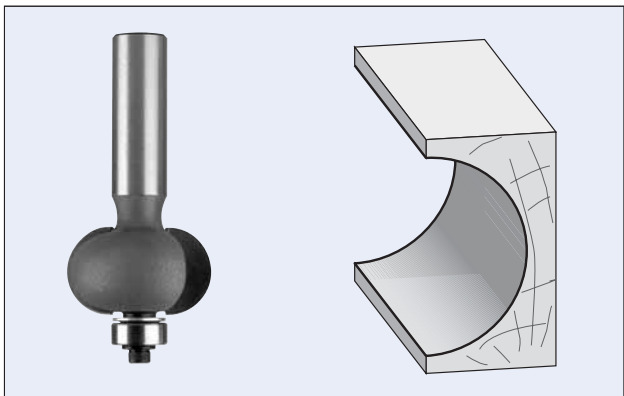


PART NO.	CUTTING DIAM.	CUTTING LENGTH	SHANK DIAM.	OVERALL LENGTH
R2450 (A)	3/4"	7/16"	1/4"	2-3/16"
R2451 (B)	1"	7/16"	1/2"	2-1/2"
R2452 (C)	1-1/2"	5/8"	1/2"	2-3/4"

### Replacement Parts

(A) Ball Bearing B4              Lock Ring W01        Screw WNC525  
 (B) Ball Bearing B6-1A        Lock Ring W04        Screw WNC518  
 (C) Ball Bearing B10          Lock Ring W03        Screw WNC518

## R2440 CONVEX BEADING BITS WITH BEARING GUIDE

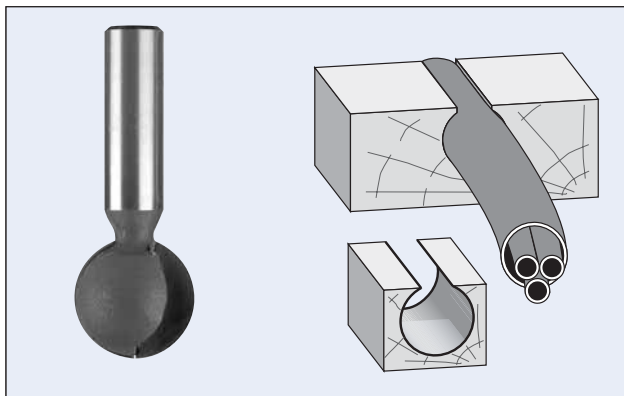


PART NO.	CUTTING DIAM.	RADIUS	CUTTING LENGTH	SHANK DIAM.	OVERALL LENGTH
R2440	13/16"	5/32"	5/16"	1/4"	1-7/8"
R2441	7/8"	3/16"	3/8"	1/4"	2"
R2442	31/32"	15/64"	15/32"	1/4"	2"
R2443	1-3/32"	19/64"	19/32"	1/2"	2-3/4"
R2444	1-1/4"	25/64"	25/32"	1/2"	3"

### Replacement Parts

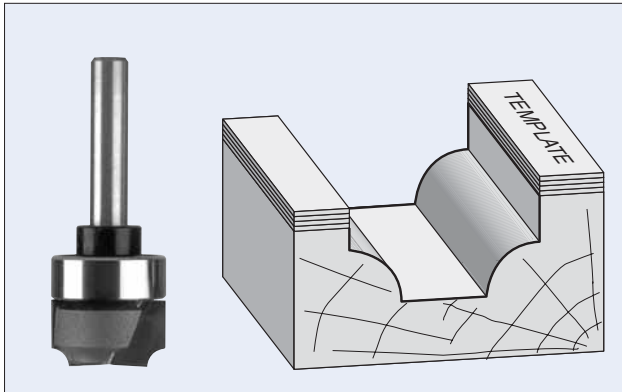
Ball Bearing B3                      Spring Washer WFS506  
 Washer WR58                      Screw WNC538

## R2455 BALL GROOVING BITS TWO FLUTES



PART NO.	LARGE DIAM.	SMALL DIAM.	SHANK DIAM.	OVERALL LENGTH
R2455	1/2"	1/4"	1/2"	2-1/4"
R2456	5/8"	9/32"	1/2"	2-7/16"
R2457	3/4"	5/16"	1/2"	2-1/2"
R2458	7/8"	5/16"	1/2"	2-5/8"
R2459	1"	11/32"	1/2"	2-3/4"
R2460	1-1/8"	13/32"	1/2"	2-7/8"
R2461	1-1/4"	7/16"	1/2"	3"

## R3030 CORNER ROUNDING BITS PLUNGE TYPE WITH CENTER BALL BEARING

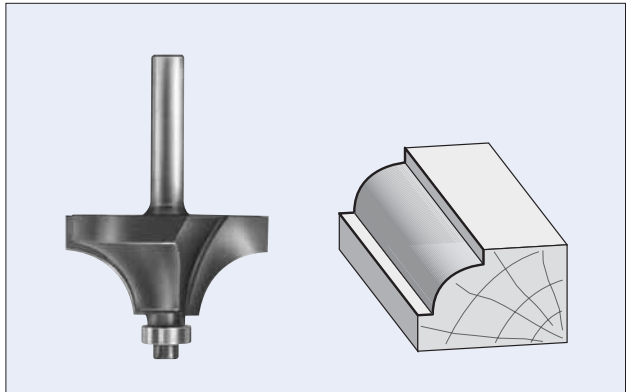


PART NO.	LARGE DIAM.	RADIUS	SMALL DIAM.	CARBIDE HEIGHT	SHANK DIAM.
R3030 (A)	1/2"	1/8"	1/4"	3/8"	1/4"
R3032 (B)	3/4"	1/8"	1/2"	3/8"	1/4"
R3034 (C)	7/8"	5/16"	1/2"	1/2"	1/4"
R3036 (D)	1-1/8"	5/16"	1/2"	9/16"	1/2"

### Replacement Parts

(A) Ball Bearing B3-1	Lock ring W01	Screw WNC525
(B) Ball Bearing B4	Lock ring W01	Screw WNC525
(C) Ball Bearing B5	Lock ring W01	Screw WNC525
(D) Ball Bearing B6-4	Lock ring W03	Screw WNC518

## R3100 BEADING BITS WITH BALL BEARING GUIDE



PART NO.	LARGE DIAM.	RADIUS	CARBIDE HEIGHT	SHANK DIAM.
R3100-1	5/8"	1/16"	5/16"	1/4"
R3100-2	3/4"	1/8"	3/8"	1/4"
R3100-3	3/4"	5/32"	3/8"	1/4"
R3100	7/8"	3/16"	1/2"	1/4"
R3101	1"	1/4"	1/2"	1/4"
R3102	1-1/8"	5/16"	1/2"	1/4"
R3103	1-1/4"	3/8"	5/8"	1/4"
R3104	1-1/2"	1/2"	3/4"	1/4"
R3105-1	5/8"	1/16"	5/16"	1/2"
R3105-2	3/4"	1/8"	3/8"	1/2"
R3105-3	3/4"	5/32"	3/8"	1/2"
R3105	7/8"	3/16"	1/2"	1/2"
R3106	1"	1/4"	1/2"	1/2"
R3107	1-1/8"	5/16"	1/2"	1/2"
R3108	1-1/4"	3/8"	5/8"	1/2"
R3109	1-1/2"	1/2"	3/4"	1/2"
R3109-1	1-3/4"	5/8"	7/8"	1/2"
R3110	2"	3/4"	1"	1/2"
R3111	2-1/4"	7/8"	1-1/4"	1/2"
R3112	2-1/2"	1"	1-1/4"	1/2"
R3112-1 *	2-3/4"	1-1/8"	1-3/8"	1/2"
R3113 *	3"	1-1/4"	1-1/2"	1/2"
R3113-1 **	3-1/4"	1-3/8"	1-9/16"	1/2"
R3114 **	3-1/2"	1-1/2"	1-3/4"	1/2"

\* Max. RPM 18,000

\*\* Max. RPM 16,000

### Replacement Parts

Ball Bearing B2	Spring Washer WFS506
Washer WFS500	Screw WNC538