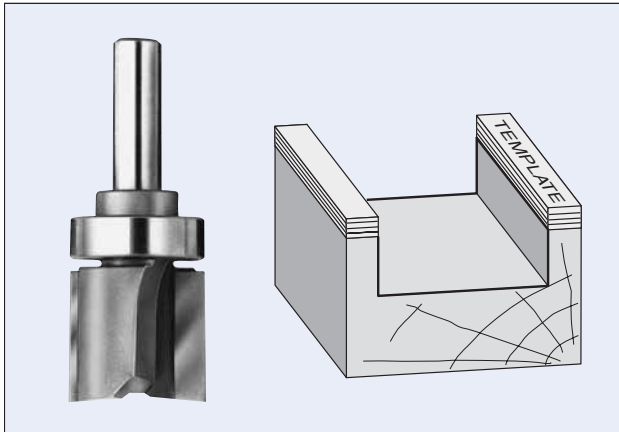


## R2320 STRAIGHT PLUNGE BITS WITH CENTRE BALL BEARING GUIDE TWO FLUTES

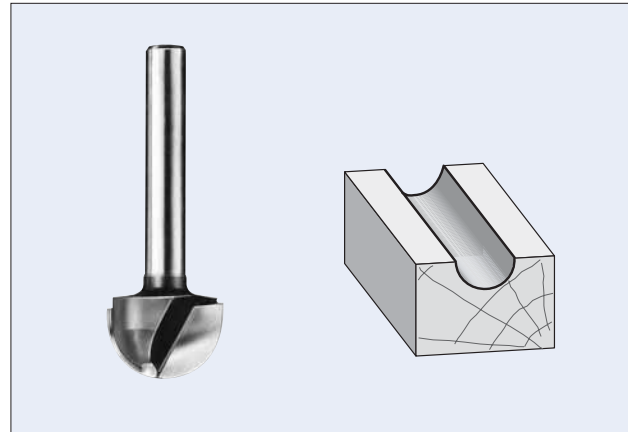


| PART NO.   | CUTTING DIAM. | CUTTING LENGTH | SHANK DIAM. | OVERALL LENGTH |
|------------|---------------|----------------|-------------|----------------|
| R2320 (A)  | 1/2"          | 1"             | 1/4"        | 2-1/2"         |
| R2320-1(A) | 1/2"          | 1-1/4"         | 1/4"        | 2-3/4"         |
| R2321 (B)  | 5/8"          | 1"             | 1/4"        | 2-1/2"         |
| R2322 (C)  | 3/4"          | 1"             | 1/4"        | 2-1/2"         |
| R2322-1(E) | 3/4"          | 1"             | 1/2"        | 3"             |
| R2322-2(E) | 3/4"          | 2"             | 1/2"        | 3-5/8"         |
| R2323 (D)  | 1"            | 1"             | 3/8"        | 2-3/4"         |
| R2324 (I)  | 1"            | 1-3/4"         | 1/2"        | 3-3/4"         |
| R2325 (F)  | 1-1/8"        | 1-1/2"         | 1/2"        | 3-5/8"         |
| R2326 (G)  | 1-1/4"        | 1-3/4"         | 1/2"        | 3-1/4"         |
| R2327 (H)  | 1-1/2"        | 1-3/4"         | 1/2"        | 3-1/4"         |

### Replacement Parts

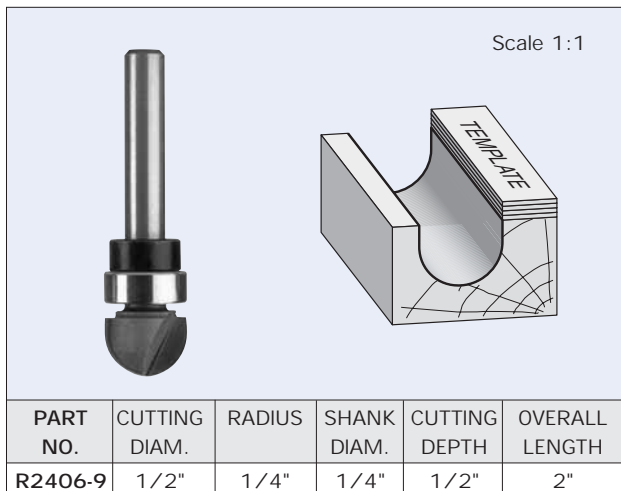
- (A) Ball Bearing B3-1; Lock Ring W01; Screw WNC525
- (B) Ball Bearing B3-3; Lock Ring W01; Screw WNC525
- (C) Ball Bearing B4; Lock Ring W01; Screw WNC525
- (D) Ball Bearing B6-1; Lock Ring W02; Screw WNC525
- (E) Ball Bearing B4-1A; Lock Ring W04; Screw WNC518
- (F) Ball Bearing B6-4; Lock Ring W03; Screw WNC518
- (G) Ball Bearing B6-5; Lock Ring W03; Screw WNC518
- (H) Ball Bearing B10; Lock Ring W03; Screw WNC518
- (I) Ball Bearing B6-1A; Lock Ring W04; Screw WNC518

## R2400 ROUND NOSE BITS SHALLOW PROFILE



| PART NO. | CUTTING DIAM. | RADIUS | CUTTING LENGTH | SHANK DIAM. | OVERALL LENGTH |
|----------|---------------|--------|----------------|-------------|----------------|
| R2400    | 1/8"          | 1/16"  | 3/8"           | 1/4"        | 1-3/4"         |
| R2401    | 3/16"         | 3/32"  | 1/2"           | 1/4"        | 1-3/4"         |
| R2402    | 1/4"          | 1/8"   | 1/2"           | 1/4"        | 1-3/4"         |
| R2402-1  | 5/16"         | 5/32"  | 1/2"           | 1/4"        | 1-1/2"         |
| R2403    | 3/8"          | 3/16"  | 1/4"           | 1/4"        | 1-1/2"         |
| R2403-1  | 3/8"          | 3/16"  | 1/4"           | 1/2"        | 1-7/8"         |
| R2403-2  | 7/16"         | 7/32"  | 5/8"           | 1/4"        | 1-3/4"         |
| R2403-3  | 7/16"         | 7/32"  | 5/8"           | 1/2"        | 2-3/8"         |
| R2404    | 1/2"          | 1/4"   | 5/16"          | 1/4"        | 1-1/2"         |
| R2404-1  | 1/2"          | 1/4"   | 5/16"          | 1/2"        | 2"             |
| R2405    | 5/8"          | 5/16"  | 3/8"           | 1/4"        | 1-1/2"         |
| R2405-1  | 5/8"          | 5/16"  | 3/8"           | 1/2"        | 2"             |
| R2406    | 3/4"          | 3/8"   | 1/2"           | 1/4"        | 1-1/2"         |
| R2406-1  | 3/4"          | 3/8"   | 1/2"           | 1/2"        | 2"             |
| R2406-2  | 7/8"          | 7/16"  | 5/8"           | 1/4"        | 1-3/4"         |
| R2406-3  | 7/8"          | 7/16"  | 5/8"           | 1/2"        | 2"             |
| R2406-4  | 1"            | 1/2"   | 5/8"           | 1/4"        | 1-3/4"         |
| R2406-5  | 1"            | 1/2"   | 5/8"           | 1/2"        | 2-3/16"        |
| R2406-6  | 1-1/4"        | 5/8"   | 3/4"           | 1/2"        | 2-3/16"        |

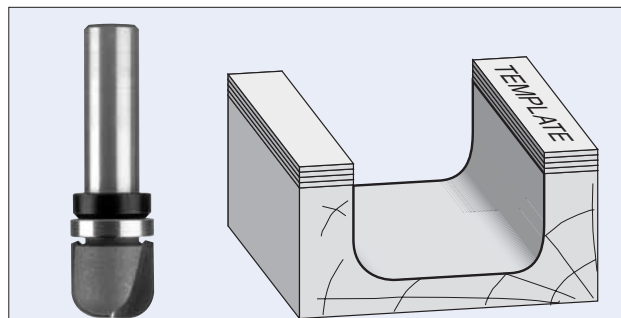
**R2406-9 CORE BOX BIT WITH BEARING GUIDE TWO FLUTES**



| PART NO. | CUTTING DIAM. | RADIUS | SHANK DIAM. | CUTTING DEPTH | OVERALL LENGTH |
|----------|---------------|--------|-------------|---------------|----------------|
| R2406-9  | 1/2"          | 1/4"   | 1/4"        | 1/2"          | 2"             |

**Replacement Parts**  
 Ball Bearing B3-1      Lock Ring W01      Screw WNC525

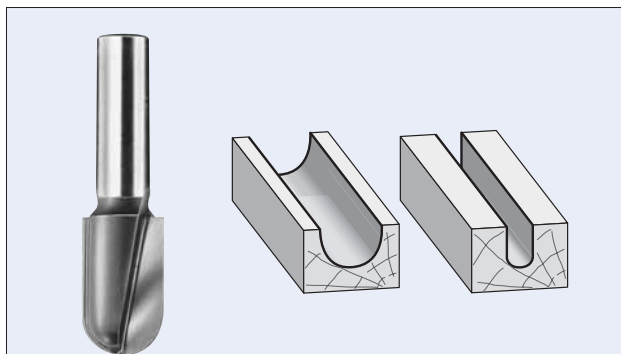
**R2420 COVE PLUNGE BITS WITH CENTRE BALL BEARING**



| PART NO.  | CUTTING DIAM. | RADIUS | CUTTING LENGTH | SHANK DIAM. | OVERALL LENGTH |
|-----------|---------------|--------|----------------|-------------|----------------|
| R2420 (A) | 1/2"          | 1/8"   | 1/2"           | 1/4"        | 2-1/8"         |
| R2421 (B) | 3/4"          | 1/4"   | 5/8"           | 1/4"        | 2-5/16"        |
| R2422 (C) | 3/4"          | 1/4"   | 5/8"           | 1/2"        | 2-5/16"        |
| R2423 (D) | 1-1/8"        | 1/4"   | 5/8"           | 1/2"        | 2-5/8"         |

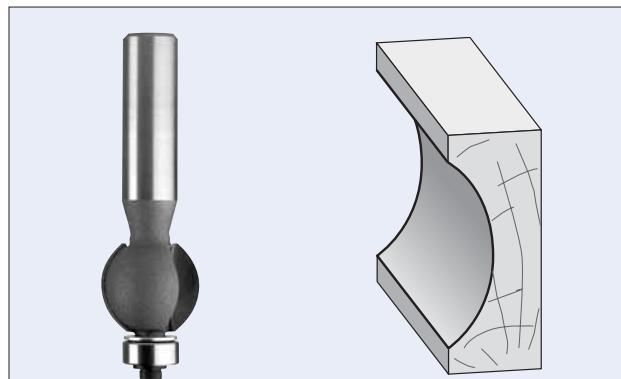
**Replacement Parts**  
 (A) Ball Bearing B3-1      Lock Ring W01      Screw WNC525  
 (B) Ball Bearing B4      Lock Ring W01      Screw WNC525  
 (C) Ball Bearing B4-1A      Lock Ring W04      Screw WNC518  
 (D) Ball Bearing B6-4      Lock Ring W03      Screw WNC518

**R2407 ROUND NOSE BITS DEEP PROFILE**



| PART NO. | CUTTING DIAM. | RADIUS | CUTTING LENGTH | SHANK DIAM. | OVERALL LENGTH |
|----------|---------------|--------|----------------|-------------|----------------|
| R2407    | 3/8"          | 3/16"  | 1"             | 1/2"        | 2-3/4"         |
| R2408    | 1/2"          | 1/4"   | 1-1/4"         | 1/2"        | 2-3/4"         |
| R2409    | 9/16"         | 9/32"  | 1-1/4"         | 1/2"        | 2-3/4"         |
| R2410    | 5/8"          | 5/16"  | 1-1/4"         | 1/2"        | 2-3/4"         |
| R2411    | 3/4"          | 3/8"   | 1-1/4"         | 1/2"        | 2-3/4"         |
| R2412    | 7/8"          | 7/16"  | 1-1/4"         | 1/2"        | 2-3/4"         |
| R2413    | 1"            | 1/2"   | 1-1/4"         | 1/2"        | 2-3/4"         |
| R2414    | 1-1/4"        | 5/8"   | 1-1/4"         | 1/2"        | 2-3/4"         |
| R2415    | 1-1/2"        | 3/4"   | 1-1/4"         | 1/2"        | 2-3/4"         |
| R2416    | 2"            | 1"     | 1-1/4"         | 1/2"        | 2-3/4"         |

**R2430 CONVEX BEADING BITS WITH BEARING GUIDE**



| PART NO. | CUTTING DIAM. | RADIUS | CUTTING LENGTH | SHANK DIAM. | OVERALL LENGTH |
|----------|---------------|--------|----------------|-------------|----------------|
| R2430    | 3/4"          | 3/16"  | 3/8"           | 1/2"        | 2-5/8"         |
| R2431    | 3/4"          | 5/16"  | 1/2"           | 1/2"        | 2-3/4"         |
| R2432    | 7/8"          | 15/32" | 3/4"           | 1/2"        | 3-1/16"        |
| R2433    | 7/8"          | 3/4"   | 1"             | 1/2"        | 3-3/8"         |
| R2434    | 1"            | 1-1/4" | 1-1/2"         | 1/2"        | 3-7/8"         |

**Replacement Parts**  
 Ball Bearing B3      Washer WR58  
 Spring Washer WFS506      Screw WNC538