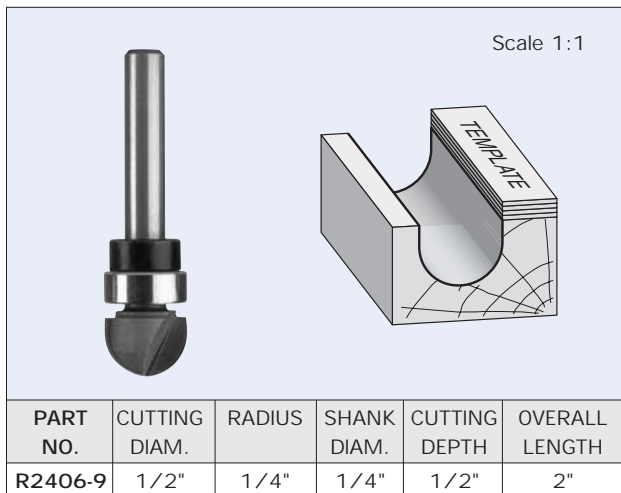


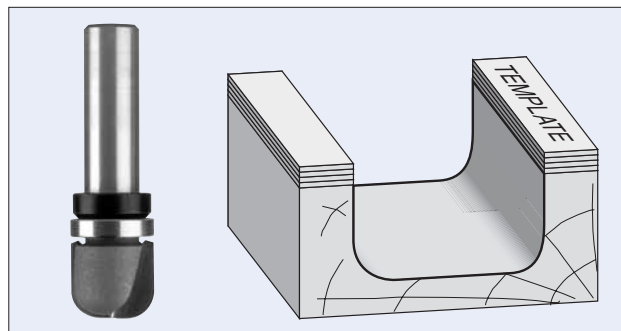
**R2406-9 CORE BOX BIT WITH BEARING GUIDE TWO FLUTES**



PART NO.	CUTTING DIAM.	RADIUS	SHANK DIAM.	CUTTING DEPTH	OVERALL LENGTH
R2406-9	1/2"	1/4"	1/4"	1/2"	2"

**Replacement Parts**  
 Ball Bearing B3-1      Lock Ring W01      Screw WNC525

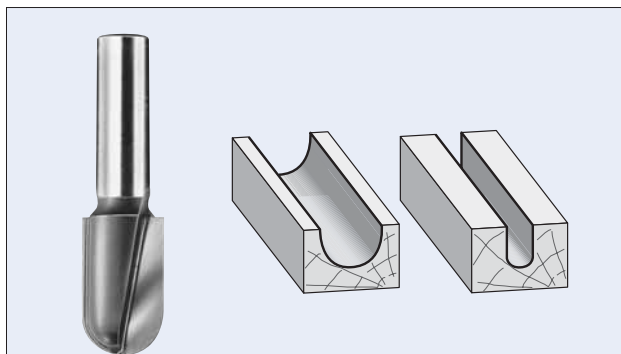
**R2420 COVE PLUNGE BITS WITH CENTRE BALL BEARING**



PART NO.	CUTTING DIAM.	RADIUS	CUTTING LENGTH	SHANK DIAM.	OVERALL LENGTH
R2420 (A)	1/2"	1/8"	1/2"	1/4"	2-1/8"
R2421 (B)	3/4"	1/4"	5/8"	1/4"	2-5/16"
R2422 (C)	3/4"	1/4"	5/8"	1/2"	2-5/16"
R2423 (D)	1-1/8"	1/4"	5/8"	1/2"	2-5/8"

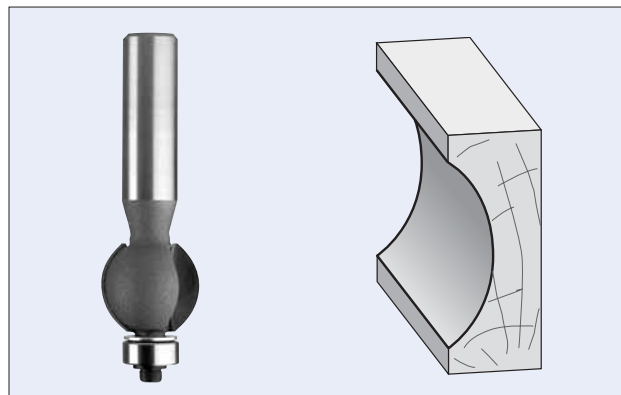
**Replacement Parts**  
 (A) Ball Bearing B3-1      Lock Ring W01      Screw WNC525  
 (B) Ball Bearing B4      Lock Ring W01      Screw WNC525  
 (C) Ball Bearing B4-1A      Lock Ring W04      Screw WNC518  
 (D) Ball Bearing B6-4      Lock Ring W03      Screw WNC518

**R2407 ROUND NOSE BITS DEEP PROFILE**



PART NO.	CUTTING DIAM.	RADIUS	CUTTING LENGTH	SHANK DIAM.	OVERALL LENGTH
R2407	3/8"	3/16"	1"	1/2"	2-3/4"
R2408	1/2"	1/4"	1-1/4"	1/2"	2-3/4"
R2409	9/16"	9/32"	1-1/4"	1/2"	2-3/4"
R2410	5/8"	5/16"	1-1/4"	1/2"	2-3/4"
R2411	3/4"	3/8"	1-1/4"	1/2"	2-3/4"
R2412	7/8"	7/16"	1-1/4"	1/2"	2-3/4"
R2413	1"	1/2"	1-1/4"	1/2"	2-3/4"
R2414	1-1/4"	5/8"	1-1/4"	1/2"	2-3/4"
R2415	1-1/2"	3/4"	1-1/4"	1/2"	2-3/4"
R2416	2"	1"	1-1/4"	1/2"	2-3/4"

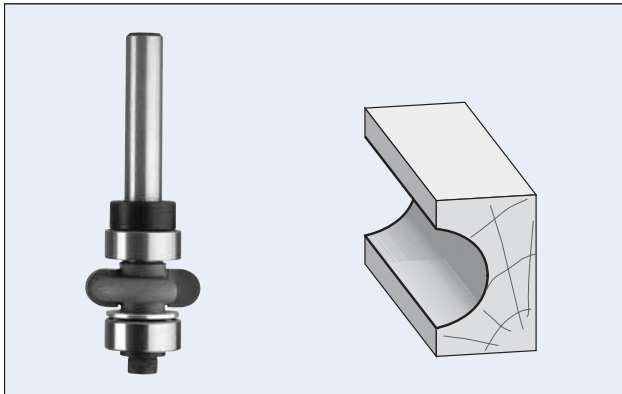
**R2430 CONVEX BEADING BITS WITH BEARING GUIDE**



PART NO.	CUTTING DIAM.	RADIUS	CUTTING LENGTH	SHANK DIAM.	OVERALL LENGTH
R2430	3/4"	3/16"	3/8"	1/2"	2-5/8"
R2431	3/4"	5/16"	1/2"	1/2"	2-3/4"
R2432	7/8"	15/32"	3/4"	1/2"	3-1/16"
R2433	7/8"	3/4"	1"	1/2"	3-3/8"
R2434	1"	1-1/4"	1-1/2"	1/2"	3-7/8"

**Replacement Parts**  
 Ball Bearing B3      Washer WR58  
 Spring Washer WFS506      Screw WNC538

## R2436 CONVEX BEADING BITS WITH TWO BALL BEARINGS

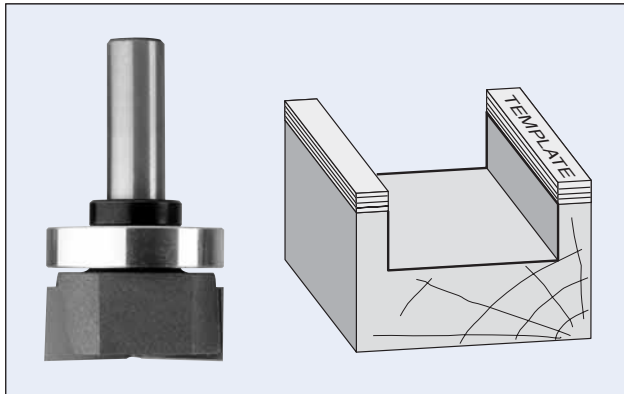


PART NO.	CUTTING DIAM.	RADIUS	CUTTING LENGTH	SHANK DIAM.	OVERALL LENGTH
R2436	3/4"	1/8"	1/4"	1/4"	2-1/4"
R2437	7/8"	13/64"	25/64"	1/4"	2-3/8"

### Replacement Parts

Lock Ring W01                      Centre Ball Bearing B3-1  
 Washer WR58                      Lower Ball Bearing B3  
 Spring Washer WFS506        Screw for Bearing WNC538

## R2450 BOTTOM CLEANING BITS WITH UPPER BALL BEARING

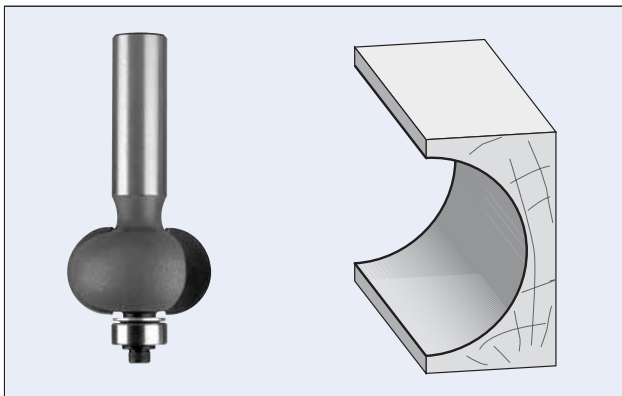


PART NO.	CUTTING DIAM.	CUTTING LENGTH	SHANK DIAM.	OVERALL LENGTH
R2450 (A)	3/4"	7/16"	1/4"	2-3/16"
R2451 (B)	1"	7/16"	1/2"	2-1/2"
R2452 (C)	1-1/2"	5/8"	1/2"	2-3/4"

### Replacement Parts

(A) Ball Bearing B4              Lock Ring W01        Screw WNC525  
 (B) Ball Bearing B6-1A        Lock Ring W04        Screw WNC518  
 (C) Ball Bearing B10          Lock Ring W03        Screw WNC518

## R2440 CONVEX BEADING BITS WITH BEARING GUIDE

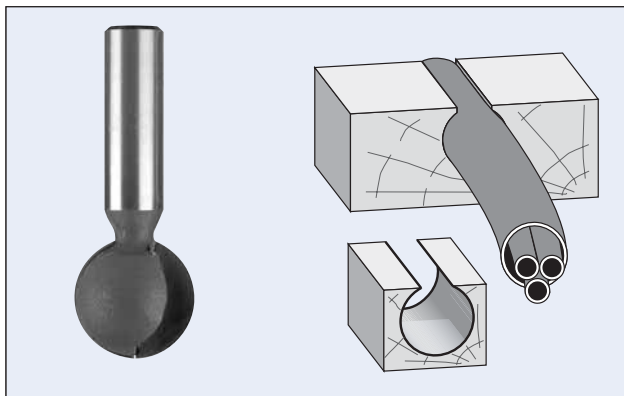


PART NO.	CUTTING DIAM.	RADIUS	CUTTING LENGTH	SHANK DIAM.	OVERALL LENGTH
R2440	13/16"	5/32"	5/16"	1/4"	1-7/8"
R2441	7/8"	3/16"	3/8"	1/4"	2"
R2442	31/32"	15/64"	15/32"	1/4"	2"
R2443	1-3/32"	19/64"	19/32"	1/2"	2-3/4"
R2444	1-1/4"	25/64"	25/32"	1/2"	3"

### Replacement Parts

Ball Bearing B3                      Spring Washer WFS506  
 Washer WR58                      Screw WNC538

## R2455 BALL GROOVING BITS TWO FLUTES



PART NO.	LARGE DIAM.	SMALL DIAM.	SHANK DIAM.	OVERALL LENGTH
R2455	1/2"	1/4"	1/2"	2-1/4"
R2456	5/8"	9/32"	1/2"	2-7/16"
R2457	3/4"	5/16"	1/2"	2-1/2"
R2458	7/8"	5/16"	1/2"	2-5/8"
R2459	1"	11/32"	1/2"	2-3/4"
R2460	1-1/8"	13/32"	1/2"	2-7/8"
R2461	1-1/4"	7/16"	1/2"	3"